

INSTALLATION MANUAL

INSTALLATIONSMANUAL · INSTALLATIONSHANDBUCH

NORTHERN AIR® PRO HVLS FAN

NORTHERN AIR® AGGRESSIVE ENVIRONMENT HVLS FAN

NORTHERN STAR® PRO HVLS FAN

ENGLISH - DANSK - DEUTSCH - SVENSKA



NORDICCO®

CLEAN • CLIMATE-FRIENDLY • COMFORT

CONTENT / INDHOLDSFORTEGNELSE / INHALTSVERZEICHNIS / INNEHÅLLSFÖRTECKNING

ENGLISH	3
GENERAL SAFETY INFORMATION	3
PRE-INSTALLATION CHECK	4
REQUIRED TOOLS & ACCESSORIES	8
STANDARD INSTALLATION.....	8
CLEANING AND MAINTENANCE	15
DANISH	16
GENEREL SIKKERHEDSINFORMATION	16
PRÆ-INSTALLATIONS TJEK	17
PÅKRÆVET VÆRKTØJ OG TILBEHØR	21
STANDARD INSTALLATIONS PROCES	22
RENGØRING OG VEDLIGEHOLDELSE.....	28
DEUTSCH	29
ALLGEMEINE SICHERHEITSINFORMATIONEN	29
PRÜFUNG VOR DER INSTALLATION	29
ERFORDERLICHE WERKZEUGE UND ZUBEHÖR	34
STANDARDINSTALLATIONSPROZESS	35
REINIGUNG UND WARTUNG	41
SVENSK	42
ALLMÄN SÄKERHETSINFORMATION.....	42
KONTROLL FÖRE INSTALLATION	43
NÖDVÄNDIGA VERKTYG OCH TILLBEHÖR	47
STANDARD INSTALLATIONSPROCESS	48
STÄDNING OCH UNDERHÅLL	54

EN: PLEASE READ THIS MANUAL CAREFULLY BEFORE USE. USE THE PRODUCT ACCORDINGLY AND STORE THIS MANUAL IN A SAFE PLACE. FOR INSTALLATION METHODS NOT INCLUDED IN THIS MANUAL, PLEASE CONSULT A STRUCTURAL ENGINEER.

DA: LÆS OG FORSTÅ VENLIGST DENNE MANUAL FØR BRUG. BRUG PRODUKTET I OVERENSSTEMMELSE HERMED, OG OPBEVAR DENNE MANUAL ET SIKKERT STED. FOR INSTALLATIONSMETODER, DER IKKE ER INKLUDERET I DENNE VEJLEDNING, BEDES DU KONTAKTE EN BYGNINGSINGENIØR.

DE: VOR GEBRAUCH LESEN SIE BITTE DIESES HANDBUCH SORGFÄLTIG DURCH. VERWENDEN SIE DAS PRODUKT ENTSPRECHEND UND BEWAHREN SIE DIESE ANLEITUNG AN EINEM SICHEREN ORT AUF. FÜR INSTALLATIONSMETHODEN, DIE NICHT IN DIESEM HANDBUCH ENTHALTEN SIND, WENDEN SIE SICH BITTE AN EINEN STATIKER.

SE: LÄS MANUALEN NOGGRANT FÖRE INSTALLATION. ANVÄND PRODUKTEN ENLIGT REKOMMENDATION OCH FÖRVARA DENNA MANUAL PÅ ETT SÄKERT STÄLLE. FÖR INSTALLATIONSSÄTT SOM INTE ÄR INKLUDERAT I DENNA MANUAL BÖR DU KONTAKTA EN BYGGNADSINGENJÖR.

ENGLISH

BEFORE YOU BEGIN



IT IS EXTREMELY IMPORTANT THAT YOU READ AND UNDERSTAND THIS INSTALLATION MANUAL IN ITS ENTIRETY BEFORE USING THE NORDICCO HVLS FAN. INCORRECT USE MAY CAUSE PERSONAL INJURY AS WELL AS DAMAGE TO INVENTORY, ETC.

BEFORE INSTALLATION, IT IS IMPORTANT TO ENSURE THAT YOU UNDERSTAND ALL LOCAL REGULATIONS AND RESTRICTIONS RELATED TO THE FAN'S INSTALLATION.

THE PURPOSE OF THIS INSTALLATION MANUAL IS TO ENSURE THAT THE HVLS FAN IS CORRECTLY INSTALLED. THIS MANUAL MUST BE STORED IN A PLACE WHERE IT IS EASILY AVAILABLE TO USERS, INSTALLERS AND OTHERS WHO MAY NEED TO FIND INFORMATION ABOUT THE USE OF THE FAN. IF A MANUAL IS LOST, THE NEWEST VERSIONS CAN ALWAYS BE DOWNLOADED FROM THE WEBSITE:

<https://nordicco.eu/downloads/>

GENERAL SAFETY INFORMATION

WARNING

To reduce the risk of fire, electric shock or personal injury, the following must be observed:

1. Use this system only as instructed by the manufacturer. If you have any questions, please contact Nordicco A/S or its representatives.
2. Before servicing or cleaning the system, turn off the power to the control unit and disconnect it from the mains supply to prevent the power from being turned on accidentally.
3. Installation work and electrical wiring must be performed by qualified professionals in accordance with all applicable standards and regulations.
4. DO NOT ALLOW WATER OR SOLVENTS TO ENTER THE MOTOR OR DRIVE. UNDER NO CIRCUMSTANCES MAY THE MOTOR OR DRIVE BE SPRAYED WITH STEAM, WATER OR SOLVENTS.
5. It is recommended that a repair/safety breakers switch is installed between each fan and the electrical power supply network. Make sure that such a switch is NOT placed directly above the blades so that it is always accessible – even when the fan is running.



IMPORTANT: CHECK ALL APPLICABLE STANDARDS AND REGULATIONS TO ENSURE COMPLIANCE WITH ALL NECESSARY REQUIREMENTS. IT IS THE SOLE RESPONSIBILITY OF THE INSTALLER TO ENSURE COMPLIANCE WITH APPLICABLE REGULATIONS WHEN INSTALLING THE FAN. TO AVOID THE RISK OF PERSONAL INJURY, ALWAYS MAKE SURE TO TURN OFF THE POWER SUPPLY WHEN WORKING IN PROXIMITY TO OR ABOVE THE FAN OR THE AIR BLADES.

PRE-INSTALLATION CHECK

1. Make sure that the ceiling fan is installed in a location where the blades are at least 3.0 meters above floor level and at a safe distance from any obstacles.
2. If the building has a mezzanine or other elevated area where people may be present, ensure that no components of the ceiling fan can be reached from the highest level or deck. The ceiling fan must be positioned so that the tips of the blades are at least 1.2 meters away from the furthest point where a person could extend an object outward.
3. MAKE SURE THE CEILING FAN IS NOT INSTALLED NEAR OVERHEAD DOORS OR OTHER BUILDING OPENINGS WHERE GUSTS OF WIND MAY OCCUR. THE FAN SHOULD NOT BE INSTALLED OR OPERATED IN PLACES WHERE WIND IS PRESENT.
4. If the building is equipped with a fire sprinkler system, verify that the placement of the fan will not interfere with correct sprinkler operation and that the installation of the fan complies with all building codes.
5. Check whether the intended placement of the fan is directly under lamps or skylights. If possible, avoid installing fans below a light source to prevent a stroboscopic effect that can be caused by the fan's rotation.
6. To achieve the best possible performance, the fan must be installed with a minimum clearance distance of two fan diameters to the nearest radiant heaters and HVAC system discharges (outlets) or intakes (inlets).
7. BEFORE INSTALLATION, IT IS IMPORTANT TO VERIFY THAT THE MOUNTING SURFACE CAN BEAR THE OPERATING WEIGHT AND MAXIMUM TORQUE (ROTATING FORCE) OF THE NORDICCO® FANS THAT WILL BE INSTALLED. IT IS THE SOLE RESPONSIBILITY OF THE INSTALLER TO ENSURE THAT THE MOUNTING STRUCTURE AND FAN INSTALLATION METHOD ARE ADEQUATE FOR SAFE OPERATION OF THE NORDICCO® FAN.

MAX TORQUE PER NORDICCO® FAN SIZE

Fan size (meter)	2.0	3.0	4.0	5.0
Max. torque (Nm)	9	28	45	64

8. THE FITTINGS/FIXING MEANS FOR ATTACHMENT TO THE CEILING MUST BE FIXED WITH SUFFICIENT STRENGTH TO WITHSTAND CERTAIN MULTIPLES OF THE WEIGHT OF THE SPECIFIC NORDICCO® CEILING FAN, SEE TABLE BELOW FOR DETAILS:

Northern Air® Systems	2.0M	3.0M	4.0M	5.0M
Suspended weight	30kg	36kg	42kg	48g
4 x Suspended weight	120kg	144kg	168kg	192kg

Northern Star® Systems	3.0M	4.0M	5.0M
Suspended weight	35kg	39kg	44g
5 x Suspended weight	175kg	195kg	220kg

9. **INSTALLATION AND MAINTENANCE SHOULD ONLY BE PERFORMED BY QUALIFIED PROFESSIONAL PERSONNEL WHO ARE FAMILIAR WITH LOCAL REGULATIONS AND ARE EXPERIENCED WITH THIS TYPE OF EQUIPMENT.**

FIRE PRECAUTIONS

BEST PRACTICE IN RELATION TO FIRE AND FIRE HAZARDS

Since the installation and use of HVLS fans are not regulated by any official legislation or building regulations in relation to fire protection in Denmark, NORDICCO A/S and DBI (The Danish Institute of Fire and Security Technology) have prepared this guide to ensure optimal installation of HVLS fans. DBI has assessed that NORDICCO® HVLS fans can be installed without compromising fire safety. However, it should be noted that the smaller the rotor diameter of the HVLS fan, the lower the risk of a fire spreading. The risk of fire spreading also depends on the location of the individual HVLS fan. Three (3) scenarios are described below, where it is relevant to assess the early detection of an incipient fire. In case of doubt, a competent advisor should be consulted for an assessment of the specific situation.

Scenario 1: NORDICCO® HVLS fans installed in a room without any fire protection systems. Generally, HVLS fans can be installed without any restrictions, but the following points should be considered:

1. The HVLS fans should be installed so that they can be easily disconnected – for example via a control panel, emergency stop button or safety switch mounted visibly at exits or located at strategic locations in the room.
2. A vertical respecting distance of at least 0.5 meters from combustible / flammable storage should be kept, to ensure that any fire spread is reduced.
3. HVLS fans should be installed as far from storage (e.g. storage shelves) as possible. When installing in shelved storage sections, fans should be installed above walking aisle and not over actual storage racks.

Scenario 2: NORDICCO® HVLS fans installed in a room, where an Automatic Fire Alarm system is installed. In addition to DBI's normal guidelines for Automatic Fire Alarm systems, the following points are also relevant:

1. The HVLS fans must stop when the Automatic Fire Alarm system detects a fire and preferably do so even before a fire is detected. This can be achieved via the built-in "fire alarm cable" or by using manual stop options, as indicated in scenario 1.
2. For systems with flame detectors, the location of the HVLS fans should be assessed in relation to the flame detectors' location. There are examples of ceiling fans causing reflections that are mistaken for light from a flame, thereby giving an unintended alarm. Flame detectors are typically used in rooms with high ceilings and in atriums.
3. The HVLS fans must not be installed in the line of sight of a linear smoke detector, as this may cause false alarms to trigger on the Automatic Fire Alarm system. A linear smoke detector uses invisible beams of ultraviolet and infra-red light. The light is either received or reflected on an opposing wall. The Automatic Fire Alarm system goes into fault mode if the light beam is interrupted.
4. Where point smoke detectors are installed, several points must be considered:
 - a) The velocity of the airflow from the HVLS fan must not exceed 0.5 m/sec. This value corresponds to the value in DBI guideline 232 for airflows from ventilation systems.
 - b) A respecting distance of at least 0.5 meters must be maintained from point smoke detectors to the HVLS fan blades. **In case of doubt about the location of the HVLS fans in rooms where Automatic Fire Alarm systems are installed, an approved installation company should assess the specific case. The installation company must be approved to project installation designs that follow the guidelines according to which the actual Automatic Fire Alarm system is installed.**

Scenario 3: NORDICCO® HVLS fans installed in a room where a fire sprinkler system is installed. HVLS fans can be installed in such rooms, but it must be taken into account that the sprinkler system must be able to be activated by a fire in the room. The items listed in scenario 1 should be followed, in addition to the following points, which are also relevant and recommended by the NFPA (National Fire Protection Association):

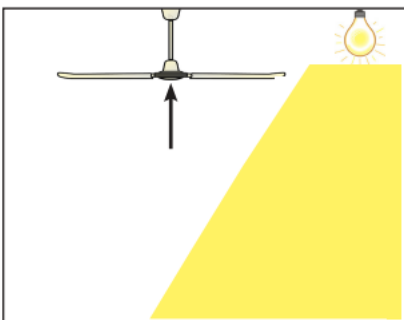
1. The largest HVLS fan diameter should not exceed 8 meters.
2. The HVLS fans should be centered between four sprinkler heads.
3. The distance between the HVLS fans and the sprinkler heads should be at least 0.9 meters, so as not to disrupt sprinkler system activation.
4. HVLS fans should be connected to the Automatic Fire Alarm system (if installed in the room) and the sprinkler system control and indication equipment, so that the HVLS fans shut down when a fire is detected.

If in doubt about the location of HVLS fans in rooms where sprinkler systems are installed, an approved installation company should assess the specific case. The installation company must be approved to produce installation designs that follow the guidelines according to which the actual sprinkler system is installed.

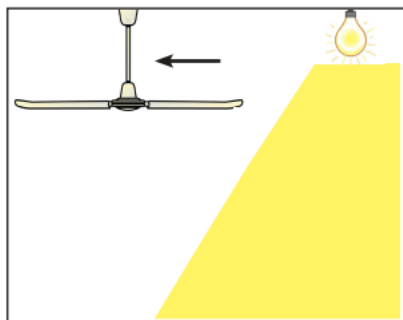
LIGHTING OBSTRUCTIONS AND PLACEMENT OF FAN

Be aware of light sources when placement in ceiling is chosen. Wherever possible, the fan should always be placed above light sources to avoid inconvenience. The recommended steps for placement when installation is nearby light sources is shown below.

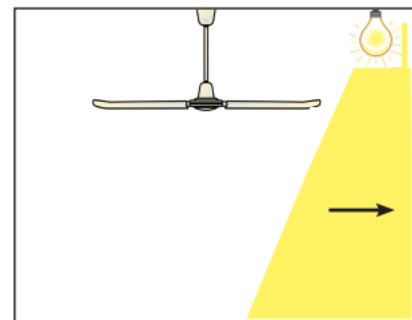
Recommendation #1:
Move Ceiling Fan Up



Recommendation #2:
Move Ceiling Fan Away
From Light



Recommendation #3:
Reduce Light's Angle of
Dispersion



INSIDE THE BOX

BOX 1

1	Saddle
2	Drop Tube
3	Drive and Onboard Electronics
4	Motor
5	Starfish Blade Hub
6	Patch Cable (optional)
7	230V Power Cable (3 x 1,0 mm ²)
8	Fire Alarm Cable
9	Mount Cover
10	Safety Wire
11	Safety Wire lock (Gripple)
12	2 x Extension Tubes
13	2 x Alu Extension Connectors
14	Bottom Cover



SCREWS FOR CONCRETE MOUNTING
HUS3-H 6X80MM (4 pcs)

SCREWS FOR WOOD MOUNTIN
8X70MM (4 pcs).

SCREWS FOR STEEL MOUNTING
8X25MM (4 pcs).
4 washers, 4 locknuts

DROP TUBE & EXTENSION TUBE BOLTS
10x70mm (10 pcs), 10 locknuts
20 plast caps (secure at both ends)



DRILL 6MM HSS



DRILL 5 MM



DRILL 8,5MM HSS



NO PRE-DRILL REQUIRED

BOX 2

1 Anodised aluminium air blades

2 Required screws and bolts



2 **SCREWS FOR MOUNTING AIR BLADES**
10 psc. 6 x 16mm
10 lock washers

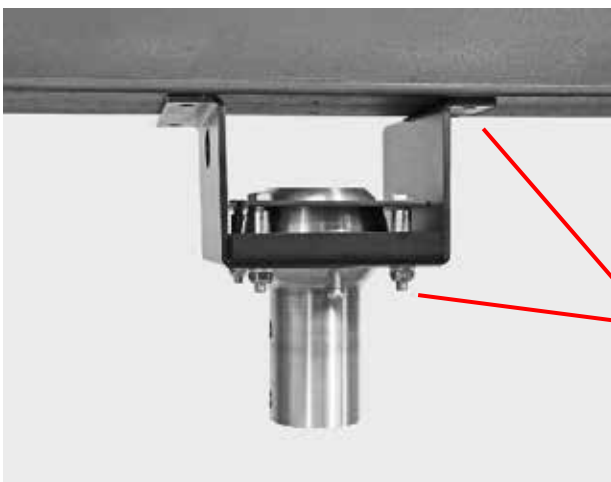


NO DRILL BIT NEEDED

REQUIRED TOOLS & ACCESSORIES



STANDARD INSTALLATION



Using the saddle allows the fan to be mounted directly on standard I and H steel rafters, as well as wooden and concrete beams. This is done using the supplied screws and bolts.

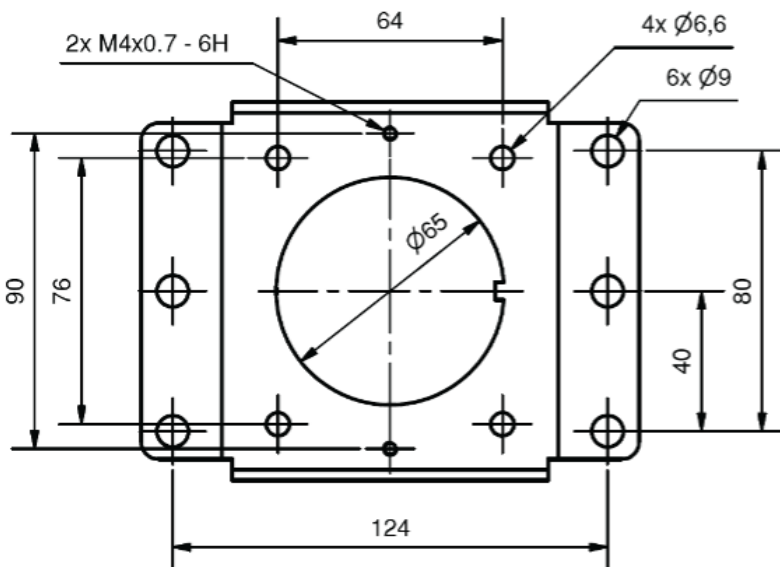


REMEMBER to tighten screws / bolts after suspending and levelling the fan.

SADDLE DIMENSIONS

Before carrying out a standard installation, make sure that the mounting beam is of sufficient width to accommodate the saddle. If this is not the case, additional mounting brackets can be used. Contact your Nordicco supplier.

For installations that use optional mounting brackets or additional stabilizing wires, refer to the manuals for these, which can be found in the relevant product boxes or can be downloaded from: www.nordicco.eu/downloads



STANDARD INSTALLATION PROCESS



Use the saddle as a template to drill the required holes in the mounting beam using the drill bit.

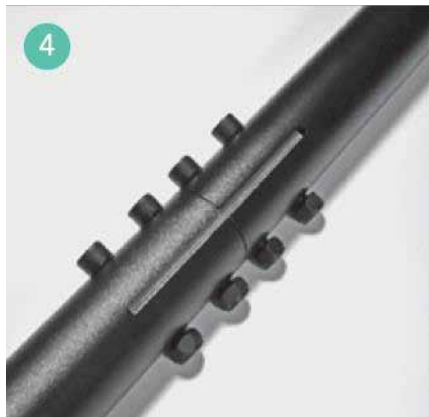


If needed, attach one or two Extension Tubes to the Drop Tube using the Alu Extension connectors.

NOTE: Northern Star Pro fans require at least one additional drop tube for a min. wing-to-ceiling distance of 90 cm.



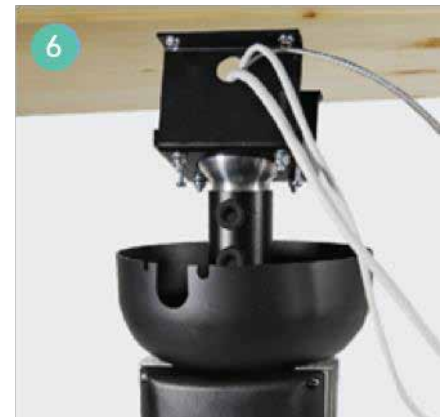
Pull all cables through the tube.



Line up holes and tighten bolts thoroughly.



Fasten the saddle to the mounting surface using screws (wood and concrete) or bolts (steel). Tighten thoroughly.



Attach the fan assembly to the swivel mount via the drop tube using specified bolts and secure tightly.



Attach the safety wire around the mounting beam. **IMPORTANT:** Follow steps in section "Installing & securing the safety wire".



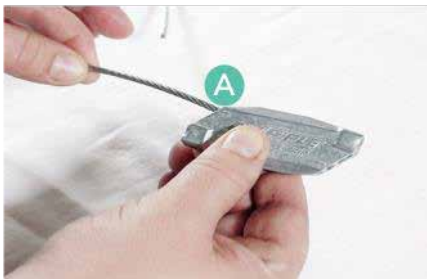
Push up the mount cover and twist to lock in place using the two small screws as shown above.



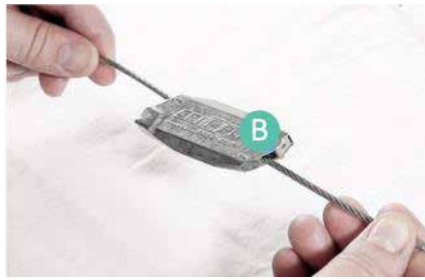
PLEASE NOTE: IF YOU ARE UNABLE TO INSTALL DIRECTLY ON THE MOUNTING SURFACE, YOU CAN USE EXTRA MOUNTING BRACKETS. SEE SEPARATE MANUAL OR CONTACT YOUR NORDICCO SUPPLIER:

WWW.NORDICCO.EU/DOWNLOADS

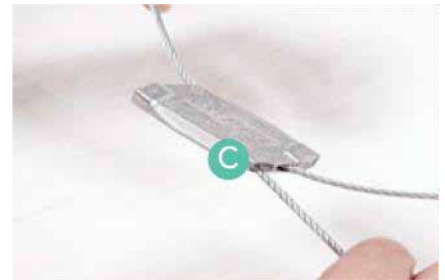
INSTALLING & SECURING THE SAFETY WIRE



Insert the wire by inserting it into **A** and turning it clockwise.



Pull the wire through **B**.



Pull the wire around the mounting beam and insert the wire into **C**. Follow the direction of the arrows.



Tighten the wire. Cut or adjust excess wire to ensure that it does not affect the fan when in operation.

NOTE: THE SAFETY WIRE MUST BE INSTALLED.

THE SAFETY WIRE WILL PREVENT THE FAN FROM FALLING DOWN IF THE INSTALLATION SYSTEM FAILS. THE FAN SHOULD NEVER BE OPERATED WITHOUT A PROPERLY INSTALLED SAFETY WIRE, AS THIS MAY RESULT IN DANGER TO LIFE, SERIOUS INJURY OR DAMAGE TO INVENTORY.

AIR BLADE INSTALLATION

IMPORTANT: THE AIR BLADES ARE DIFFERENT DEPENDING ON THE FAN MODEL YOU ARE INSTALLING.

- For Northern Air® Pro & Northern Air® Aggressive Environment fans → see section A.
- For Northern Star® Pro fans → see section B.

AIR BLADES – NORTHERN AIR - SECTION A



PLEASE NOTE: Make sure that the fan is vertically and horizontally levelled before mounting the blades.
IMPORTANT: Do not use the fan without air blades mounted, as this may damage the motor and drive system.



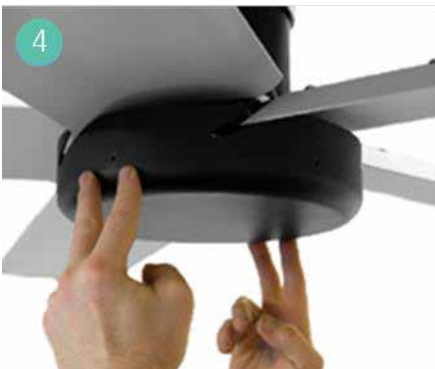
1
Slide air blade onto the starfish hub.



2
Ensure air blade holes are directly over the starfish hub.

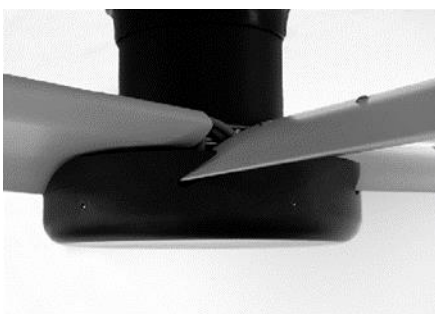


3
Secure the air blade with specified screws and tools. Note: screws shown in picture may vary.



4
Move the bottom cover to the correct position and secure with the screws.

CORRECT POSITIONING OF THE AIR BLADES



Blades viewed from **below**

AFTER AIR BLADE INSTALLATION: ROTATE THE FAN BY HAND TO ENSURE THAT IT CAN ROTATE FREELY WITHOUT TOUCHING ANY OBSTACLES.

AIR BLADES - NORTHERN STAR - SECTION B



PLEASE NOTE: Make sure that the fan is vertically and horizontally levelled before mounting the blades.
IMPORTANT: Do not use the fan without air blades mounted, as this may damage the motor and drive system.



1. Slide air blade onto the starfish hub.



2. Ensure air blade holes are directly over the starfish hub.



3. Secure the air blade with specified screws and tools.



4. Move the bottom cover to the correct position and secure with the screws.

NOTE THAT THE NORTHERN STAR PRO AIR BLADES ARE ANGLED OPPOSITELY OF TRADITIONAL FANS. PLEASE CHECK TO MAKE SURE THAT THEY FIT WITH THE BOTTOM COVER.

CORRECT POSITIONING OF THE AIR BLADES



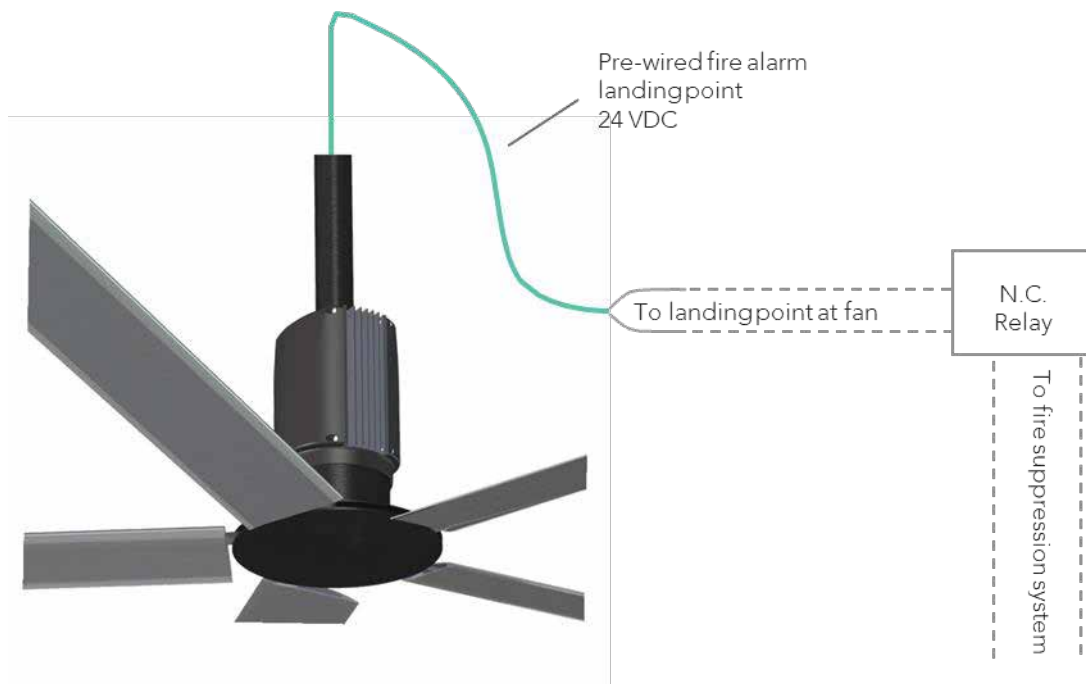
Blades viewed from **above**



Blades viewed from **below**

AFTER AIR BLADE INSTALLATION: ROTATE THE FAN BY HAND TO ENSURE THAT IT CAN ROTATE FREELY WITHOUT TOUCHING ANY OBSTACLES.

FIRE ALARM INSTALLATION



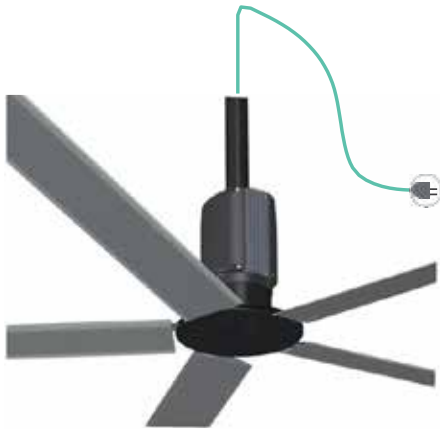
OPTIONAL FIRE ALARM INSTALLATION

Note: This section is only relevant in buildings equipped with fire extinguishing systems. For buildings with no fire suppression system, simply leave the fire cable untouched inside the drop tube. For the most optimal and stable operation, it is recommended to attach the fan's power supply directly to the fire-fighting system around the fire cable. This removes the risk of miscommunication at a long fire cable, which can otherwise turn off the fan unintentionally without a fire.

Important: The fire alarm relay must only be installed by qualified persons who understand how to deal with fire suppression systems. It is the sole responsibility of the installer to ensure correct handling of the fire alarm relay in the event of a fire in the building.

Remove the excess length of wire and attach to a normally-closed (N.C.) potential-free relay on the fire alarm emergency stop and the building's fire suppression system following the wire diagram above.

CONNECTION OF POWER & CONTROL



Connect the power plug to the power cable.

Then connect a 230 VAC single-phase power supply with earth.

CONTROL OPTIONS

When ordering the fan, you have chosen one of the control options mentioned below which will determine the further installation process.

- **Northern Sky:** Log in via app.northernsky.io with the user information you have received by e-mail.
Please note: It can take up to 20 minutes until the system is online after connecting to 230V.
- **Nordicco HMI Controller:** Insert the patch cable in the controller and see the manual for HMI-Controller for further steps.
- **BMS:** If the Nordicco fan is to be monitored and controlled with a Building Management System (BMS) please use the CAT6 cable to connect it to the BMS system.

Contact your local BMS operator for further implementation. Furthermore, see the manual 'ADVANCED OPERATIONS – INTEGRATING TO A BUILDING MANAGEMENT SYSTEM' which can be found at <https://nordicco.eu/downloads/>

SAFETY CHECK

A safety check of the fan must be done before mounting is considered completed. Keep a safety distance to the fan and slowly increase the speed step by step, until all rates of speed have been tested in both rotational directions - that is, both forward and reverse.

If shaking, vibrations or the like occurs, stop the fan immediately. Go through the installation process again and adjust where necessary. Then perform a safety check again. If the problems have not been corrected, turn the fan off and contact Nordicco or your local distributor.

CLEANING & MAINTENANCE

CLEANING

- The fan must be shut off using the repair/safety switch before commencing any cleaning tasks.
- The fan's exterior surfaces, including air blades, motor, drive and drop tube, can be wiped down with a tightly wrung cloth. Use only clean water for cleaning.

MAINTENANCE

- For all product maintenance requirements and recommendations, please see separate manual 'Inspection & Maintenance Manual', which was delivered with the fan and can also be found online <https://nordicco.eu/downloads/>
- The fan must be shut down using the repair/safety switch before commencing any maintenance tasks.
- Mounting screws should be inspected and retightened at least once a year. This includes air blade mounting screws, drop tube assembly screws and screws/bolts used for mounting in the fixed construction and/or mounting brackets.
- The system's safety wire should be inspected annually to ensure that it shows no signs of visible damage, beginning wear or other signs of damage. Likewise, the point where the safety wire is attached to the fixed structure should be inspected to ensure full attachment.
The safety wire and/or the attachment point should be replaced if in any doubt.
Contact Nordicco for information about replacing the safety wire.
- The motor and other moving parts are lifetime lubricated and require no maintenance.

REPAIRS AND SPARE PARTS

- Contact Nordicco for more information regarding repairs or spare parts:

Telephone: +45 73 70 90 83

Email: info@nordicco.eu

Website: www.nordicco.eu

FØR DU BEGYNDER



DET ER YDERST VIGTIGT AT LÆSE OG FORSTÅ HELE DENNE INSTALLATIONS MANUAL, FØR IBRUGTAGNING AF NORDICCO HVLS VENTILATOREN. FORKERT BRUG KAN MEDFØRE PERSONSKADE SAMT SKADE PÅ INVENTAR M.V.

FØR INSTALLATION ER DET VIGTIGT AT SIKRE, AT DU FORSTÅR ALLE LOKALE REGLER OG RESTRIKTIONER I HENHOLD TIL INSTALLATION AF VENTILATOREN.

FORMÅLET MED DENNE INSTALLATIONS MANUAL ER AT SIKRE, AT HVLS VENTILATOREN ER KORREKT INSTALLERET.

DENNE MANUAL SKAL OPBEVARES ET STED, HVOR DEN ER NEMT TILGÆNGELIG FOR BRUGERE, INSTALLATØRER OG ANDRE, SOM KAN HAVE BEHOV FOR INFORMATION VEDRØRENDE BRUGEN AF VENTILATOREN. BORTKOMMER EN MANUAL, KAN NYESTE VERSIONER ALTID DOWNLOADES FRA HJEMMESIDEN PÅ: www.nordicco.eu/da/manualer

GENEREL SIKKERHEDSINFORMATION

ADVARSEL

For at reducere risikoen for brand, elektrisk stød eller personskade, skal følgende overholdes:

1. Anvend kun dette system på den, af producenten anviste måde. Ved spørgsmål, kontakt da Nordicco A/S eller dets repræsentanter.
2. Inden servicering eller rengøring af systemet, skal strømmen slukkes på styringsenheden og frakobles for at forhindre, at strømmen tændes ved et uheld.
3. Installationsarbejde og elektriske ledninger skal udføres af kvalificerede fagpersoner i overensstemmelse med alle gældende regler og standarder.
4. TILLAD IKKE VAND ELLER OPLØSNINGSMIDLER AT KOMME IND I MOTOREN ELLER DRIVET. MOTOREN ELLER DRIVET MÅ UNDER INGEN OMSTÆNDIGHEDER SPRØJTES MED DAMP, VAND ELLER OPLØSNINGSMIDLER.
5. Det anbefales, at der installeres en reparations-/sikkerhedsafbryder mellem hver ventilator og det elektriske ledningsnet. Sørg for, at en sådan afbryder IKKE er placeret direkte over vingerne, så den altid er tilgængelig – selv når ventilatoren kører.



VIGTIGT: SE ALLE GÆLDENDE REGLER OG STANDARDER FOR AT SIKRE, AT ALLE NØDVENDIGE KRAV ER OPFYLDT. DET ER UDELUKKENDE INSTALLATØRENS ANSVAR, AT SIKRE AT GÆLDENDE REGLER OVERHOLDES I FORHOLD TIL INSTALLATION AF VENTILATOREN. FOR AT UNDGÅ RISIKO FOR PERSONSKADE, SØRG DA ALTID FOR AT SYSTEMET ER FRAKOBLET STRØMFORSYNING OG SIKRET, NÅR DER ARBEJDES TÆT PÅ ELLER OVER VENTILATOREN OG VINGERNE.

PRÆ-INSTALLATIONS TJEK

1. Kontroller, at loftventilatoren skal installeres et sted, hvor vingerne er minimum 3,0 meter over gulvhøjde med en sikker afstand til eventuelle forhindringer.
2. Hvis bygningen har en mezzanin eller andre forhøjede områder, der kan tilgås af mennesker, skal det kontrolleres, at ingen komponenter i loftventilatoren kan nås fra det højeste niveau eller dæk. Loftventilatoren skal placeres, så spidserne på vingerne er minimum 1,2 meter væk fra det længste punkt, hvor en person kan strække sig.
3. **KONTROLLER, AT LOFTVENTILATOREN IKKE MONTERES I NÆRHEDEN AF PORTE ELLER ANDRE BYGNINGSÅBNINGER, HVOR VINDSTØD KAN FOREKOMME. LOFTVENTILATOREN BØR IKKE INSTALLERES ELLER BETJENES PÅ STEDER, HVOR DER ER VIND.**
4. Hvis bygningen er udstyret med et sprinkleranlæg, skal det kontrolleres, at ventilatorens placering ikke forstyrrer sprinklerdriften, og at installationen af loftventilatoren overholder alle bygningskoder og standarder.
5. Kontroller, om loftventilatorens påtænkte placering er direkte under lamper eller ovenlys. Hvis muligt, skal det undgås at installere loftventilatoren under en lyskilde for at forhindre en stroboskopisk effekt, der kan forårsages af loftventilatorens rotation.
6. For at opnå den bedst mulige ydeevne skal loftventilatoren installeres med en minimumsafstand på to ventilatorers diameter til nærmeste strålevarmere og HVAC-systemudledninger eller -indtag.
7. **FØR INSTALLATION ER DET VIGTIGT AT KONTROLLERE, AT FÆSTNINGSPUNKTET PÅ DEN EKSISTERENDE KONSTRUKTION KAN BÆRE VÆGTEN OG DET MAKSIMALE VRIDNINGSMOMENT (DREJNINGSKRAFT) AF DE NORDICCO® VENTILATORER, DER SKAL INSTALLERES. DET ER UDELUKKENDE INSTALLATØRENS ANSVAR AT SIKRE, AT EKSISTERENDE KONSTRUKTION OG INSTALLATIONSMETODEN FOR LOFTVENTILATOREN ER TILPASSET, FOR EN SIKKER DRIFT AF LOFTVENTILATOREN.**

MAX VRIDNINGSMOMENT (Torque) PER NORDICCO® VENTILATOR STØRRELSE

Ventilatorstørrelse (meter)	2,0	3,0	4,0	5,0
Max. torque (Nm)	9	28	45	64

8. **MONTERINGSMIDLERNE TIL FATGØRELSE TIL LOFTET SKAL UDFØRES MED EN TILSTRÆKKELEG STYRKE FOR AT HOLDE FIRE (4) GANGE VÆGTEN VED NORTHERN AIR SYSTEMER OG FEM (5) GANGE VÆGTEN VED NORTHERN STAR SYSTEMER. SE TABELLEN NEDENFOR FOR DETALJERNE:**

Northern Air® Systemer	2,0M	3,0M	4,0M	5,0M
Hængevægt	30kg	36kg	42kg	48kg
4 x Hængevægt	120kg	144kg	168kg	192kg

Northern Star® Systemer	3,0M	4,0M	5,0M
Hængevægt	35kg	39kg	44g
5 x Hængevægt	175kg	195kg	220kg

9. **INSTALLATION OG VEDLIGEHOLDELSE SKAL KUN UDFØRES AF KVALIFICERET FAGPERSONALE, BEKENDTE MED LOKALE FORORDNINGER OG ERFARING MED DENNE TYPE UDSYR.**

FORHOLDSREGLER VEDR. BRAND

BEST PRACTICE I FORHOLD TIL BRAND OG BRANDFARE

Da installation og anvendelse af HVLS-ventilatorer ikke er reguleret af bygningsreglementet eller anden lovgivning i forhold til brandsikring, har Nordicco A/S og DBI (Dansk Brand Institut) udarbejdet denne vejledning, for at sikre optimal installation af HVLS-ventilatorerne. Det er DBI's vurdering, at NORDICCO® HVLS-ventilatorer kan installeres, samtidig med at brandsikkerheden opretholdes. Dog skal det bemærkes, at jo mindre rotordiameter HVLS-ventilatoren har, jo mindre er risikoen for brandspredning. Risikoen for brandspredning er også afhængig af placeringen af den enkelte HVLS-ventilator. Der er herunder beskrevet 3 scenarier, hvor det er relevant at vurdere detekteringen af en begyndende brand. Ved alle tvivlstilfælde, bør en kompetent rådgiver konsulteres for en vurdering af den konkrete situation.

Scenarie 1: NORDICCO® HVLS-ventilatorer installeret i et rum uden brandtekniske installationer. Ventilatorer kan som udgangspunkt installeres uden begrænsninger, men følgende punkter bør overvejes:

1. HVLS-ventilatorerne bør installeres så de på en enkelt måde kan afbrydes – eksempelvis via betjeningspanel, nødstop eller sikkerhedsafbryder monteret synligt ved udgange fra rummet eller placeret på strategiske steder.
2. Der bør holdes en vertikal respektafstand fra brændbart oplag til HVLS-ventilatorerne på mindst 0,5 meter, for at sikre, at en eventuel brandspredning reduceres.
3. HVLS-ventilatorerne bør installeres så langt fra oplag - fx lagerreoler - som muligt. Ved installation i lagerafsnit med reoler bør der installeres over gangforløb og ikke over det oplagrede.

Scenarie 2: NORDICCO® HVLS-ventilatorer installeret i et rum, hvor der er installeret ABA-anlæg (automatisk brandalarmanlæg). Ud over DBI's normale retningslinjer for ABA-anlæg, er nedennævnte punkter også relevante.

1. HVLS-ventilatorerne skal stoppe når ABA-anlægget detekterer en brand og gerne før dette tidspunkt. Det kan ske via det indbyggede "brandalarmkabel", eller via manuelle stop som angivet i scenarie 1.
2. Ved ABA-anlæg med flammedetektorer, bør placeringen af HVLS-ventilatorerne vurderes i forhold til placeringen af flammedetektorer. Der er eksempler, hvor loftventilatorer giver refleksioner, der forveksles med lys fra en flamme, og derved afgiver en utilsigtet alarm. Flammedetektorer anvendes typisk i rum med store loftshøjder og i forbindelse med atriumanlæg.
3. HVLS-ventilatorerne må ikke monteres i eventuelle linjerøgdetektorens sigtelinjer, da dette kan medføre fejlalarmer på ABA-anlægget. En linjerøgdetektor benytter ultraviolet og infrarødt lys som ikke er synligt. Lyset enten modtages eller reflekteres på en modstående væg. Hvis lysstrålen afbrydes, går ABA-anlægget i fejltilstand.
4. Hvor der er monteret punktrøgdetektorer, skal der tages en række hensyn:
 - a) Hastigheden af luftstrømmen fra HVLS-ventilatorerne må ikke overstige 0,5 m/sek. Denne værdi er tilsvarende værdien i DBI's retningslinje 232 for luftstrømme fra ventilationsanlæg.
 - b) Der skal holdes en respektafstand fra punktrøgdetektorer til HVLS-ventilatorernes vinger på minimum 0,5 m. **Ved tvivl om placeringen af HVLS-ventilatorerne i rum, hvor der er installeret ABA-anlæg, bør et godkendt installationsfirma vurdere den konkrete sag. Installationsfirmaet skal være godkendt til at projektere efter den retningslinje, det aktuelle ABA-anlæg er installeret efter.**

Scenarie 3: NORDICCO® HVLS-ventilatorer installeret i et rum, hvor der er installeret automatisk sprinkleranlæg (AVS anlæg). HVLS-ventilatorer kan godt installeres i sådanne rum, men der skal tages højde for, at AVS-anlægget skal kunne aktiveres af en brand i rummet. Punkterne i scenarie 1 bør følges og derudover er nedenstående punkter også relevante og anbefalet af NFPA (National Fire Protection Association):

1. Den største diameter på HVLS-ventilatoren bør ikke overskride 8 meter.
2. HVLS-ventilatorerne bør centrereres mellem 4 sprinklerhoveder.

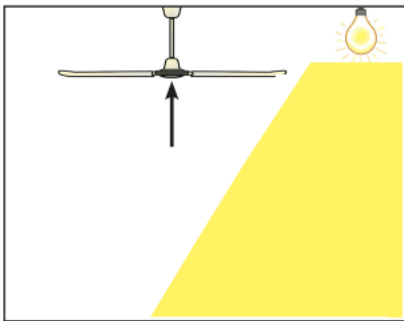
3. Afstanden mellem HVLS-ventilatorerne og sprinklerhoveder bør være mindst 0,9 meter, for ikke at forstyrre aktiveringen af sprinkleranlægget.
4. HVLS-ventilatorer bør være forbundet med ABA-anlægget (hvis det er installeret i rummet) og sprinkleranlæggets kontrol- og indikeringsudstyr, således HVLS-ventilatorerne stopper, når en brand detekteres.

Ved tvivl om placeringen af HVLS-ventilatorer i rum, hvor der er installeret sprinkleranlæg, bør et godkendt installationsfirma vurdere den konkrete sag. Installationsfirmaet skal være godkendt til at projektere efter den retningslinje, det aktuelle sprinkleranlæg er udført efter.

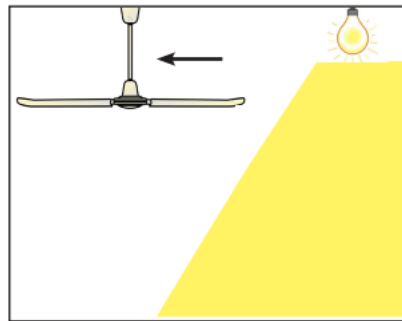
BELYSNING & PLACERING AF VENTILATOR

Vær opmærksom på lyskilder, når placering i loftet udvælges. Så vidt muligt bør ventilatoren altid placeres over lyskilder for at undgå gener. Nedenfor vises anbefalede tiltag vedr. placering, når installation foregår i nærheden af lyskilder:

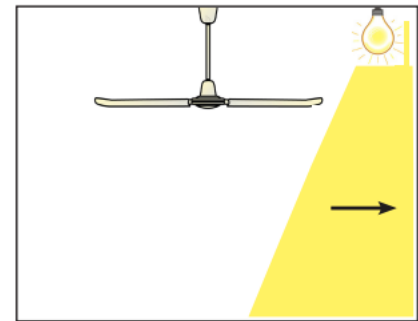
Recommendation #1:
Move Ceiling Fan Up



Recommendation #2:
Move Ceiling Fan Away
From Light



Recommendation #3:
Reduce Light's Angle of
Dispersion



KASSENS INDHOLD

KASSE 1

1	Saddel
2	Drop Tube
3	Drive og Onboard Elektronik
4	Motor
5	Starfish Vinge Hub
6	Netværkskabel (option)
7	230V Strømkabel (3 x 1,0 mm ²)
8	Brandalarmkabel
9	Mount Cover
10	Sikkerhedswire
11	Sikkerhedswire lås (Gripplø)
12	2 x Forlængerrør (Extension Tubes)
13	2 x Alu Extension Connectors
14	Bundcover



SKRUER TIL MONTERING I BETON

4 STK. HUS3-H 6X60MM



BOR 6MM HSS

SKRUER TIL MONTERING I TRÆ

4 stk. 8x70 mm.



BOR 5 MM

BOLTE TIL MONTERING I STÅL

4 stk. 8x25 mm.
4 skiver, 4 låsemøtrikker



BOR 8,5MM HSS

DROP TUBE & EXTENSION TUBE BOLTE

10 stk. 10x70 mm., 10 låsemøtrikker
20 stk. plast caps (fastgør i begge ender)



INTET BOR NØDVENDIGT

KASSE 2

1 Anodiserede aluminiumsvinger

2 Påkrævede skruer og møtrikker



2 SKRUER TIL MONTERING AF VINGER
10 stk. 6 x 16mm
10 låse fjederskiver

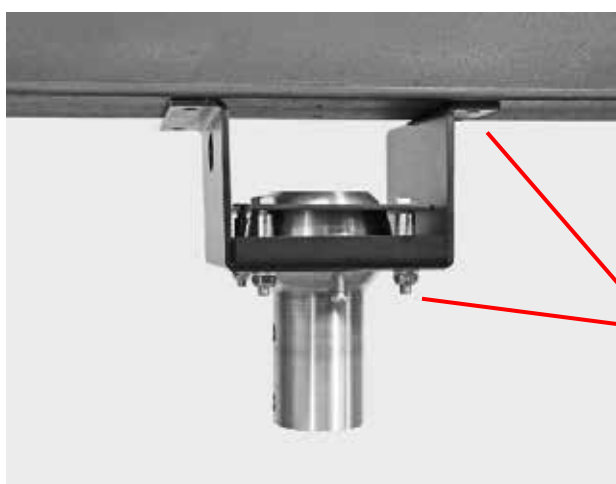


INTET BOR NØDVENDIGT

PÅKRÆVET VÆRKTØJ OG TILBEHØR



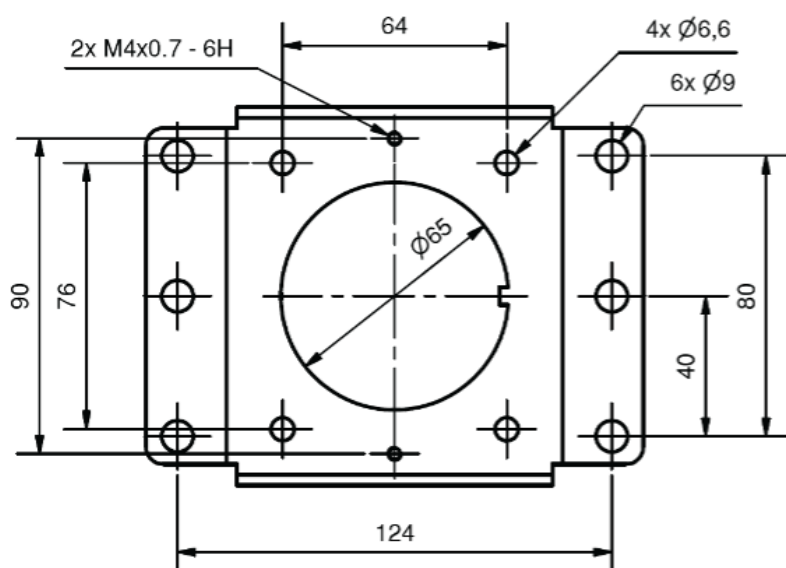
STANDARD MONTERING



Ved at anvende sadlen kan ventilatoren monteres direkte på standard I- og H stålspær samt træ- og betonbjælker. Dette gøres ved hjælp af de medfølgende skruer og bolte.



HUSK at stramme skruer/bolte efter ophængning og nivellering af ventilatoren.



SADDELMÅL

Inden standardinstallationen udføres, skal det kontrolleres, at monteringsbjælken har tilstrækkelig bredde til at montere sadlen.

Hvis dette ikke er tilfældet, kan ekstra monteringsbeslag anvendes. Kontakt din Nordicco forhandler for at høre mere.

Ved installationer der anvender ekstra valgfrie monteringsbeslag eller stabiliseringswires, henvises til 'Extra Mounting Options' manualen, som findes i de pågældende produktkasser eller kan downloades fra:

www.nordicco.eu/da/manualer

STANDARD INSTALLATIONS PROCES



1
Anvend sadlen som skabelon til at bore de nødvendige huller i monteringsbjælken ved hjælp af bor.

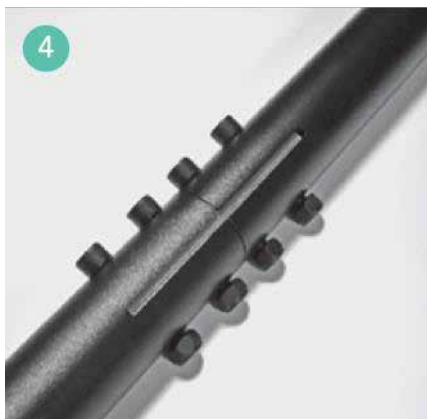


2
Fastgør om nødvendigt en eller to extension tubes (forlængerrør) til drop tuben ved hjælp af alu extension connectors.

OBS: For Northern Star Pro ventilatorer skal der min. installeres én ekstra droptube, for at nå den påkrævede minimumsafstand mellem vinger og loft på 90 cm.



3
Træk alle kabler gennem drop tuben.



4
Ret op indtil hullerne flugter og stram boltene grundigt.



5
Fastgør sadlen til monteringsoverfladen ved hjælp af skruer (ved træ og beton) eller bolte (ved stål). Stram grundigt.



6
Fastgør ventilatoren til sadlen via droptuben ved hjælp af medfølgende bolte og fastgør grundigt.



7
Fastgør sikkerhedswiren omkring monteringsbjælken.

VIGTIGT: Følg trin i afsnittet "Montering & sikring af sikkerhedswire".



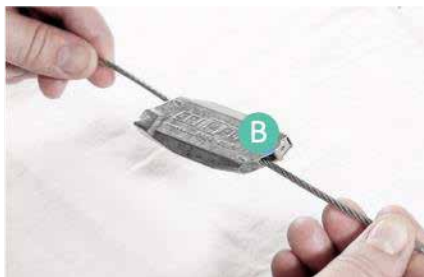
8
Skub monterings-dækslet op og drej for at låse det på plads med de to små skruer, som vist ovenfor.

BEMÆRK: HVIS DU IKKE KAN INSTALLERE DIREKTE PÅ MONTERINGSOVERFLADEN, KAN DU BRUGE EKSTRA MONTERINGSBESLAG. SE 'EXTRA MOUNTING OPTIONS' MANUAL ELLER KONTAKT DIN NORDICCO FORHANDLER: WWW.NORDICCO.EU/DA/MANUALER

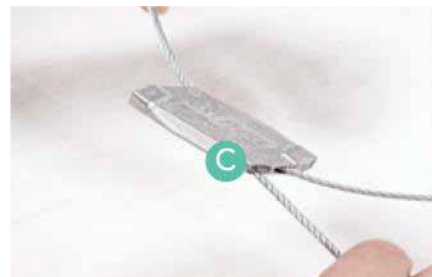
MONTERING & SIKRING AF SIKKERHEDSWIRE



Indsæt wiren ved at indføre den i **A** og dreje den med urets retning.



Træk wiren gennem **B**.



Træk wiren rundt om monteringsbjælken og indsæt wiren i **C**. Følg pilenes retning.



Stram wiren. Klip eller tilpas overskydende wire for at sikre, at den ikke påvirker ventilatoren, når den er i drift.

BEMÆRK: SIKKERHEDSWIREN SKAL INSTALLERES.

SIKKERHEDSWIREN VIL FORHINDRE VENTILATOREN I AT FALDE NED, SKULLE DET UTÆNKELIGE SKE AT MONTERINGSSYSTEMET SVIGTER. VENTILATOREN MÅ ALDRIG BETJENES UDEN EN KORREKT INSTALLERET SIKKERHEDSWIRE, DA DETTE KAN RESULTERE I LIVSFARE, ALVORLIGE SKADER ELLER SKADER PÅ INVENTAR.

MONTERING AF VINGER

VIGTIGT: DER ER FORSKEL PÅ VINGERNE ALT EFTER HVILKEN VENTILATORMODEL DU INSTALLERER.

- For Northern Air® Pro & Northern Air® Aggressive Environment ventilatorer → se afsnit A.
- For Northern Star® Pro ventilatorer → se afsnit B.

MONTERING AF VINGER – NORTHERN AIR – AFSNIT A



BEMÆRK: Sørg for, at ventilatoren er lodret og vandret nivelleret, inden vingerne monteres.
VIGTIGT: Brug ikke ventilatoren uden vinger påmonteret, da dette kan beskadige motoren og drivet.



Før vingen ind på starfishen.



Sørg for at hullerne placeres direkte over hullerne i starfishen.

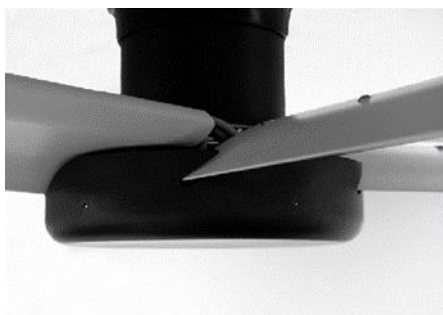


Fastgør vingen ved brug af anviste skruer og værktøj. Bemærk: Skruerne vist på billedet kan variere



Før bundcoveret til korrekt position og fastgør med skruerne.

KORREKT POSITION AF VINGERNE



Vinger set **nedefra**.



EFTER MONTERING AF VINGERNE: Roter ventilatoren med hånden for at sikre, at den roterer frit og ikke kommer i kontakt med forhindrede.

MONTERING AF VINGER – NORTHERN STAR – AFSNIT B



BEMÆRK: Sørg for, at ventilatoren er lodret og vandret nivelleret, inden vingerne monteres.
VIGTIGT: Brug ikke ventilatoren uden vinger påmonteret, da dette kan beskadige motoren og drivet.



1. Før vingen ind på starfishen.



2. Sørg for at hullerne placeres direkte over hullerne i starfishen.



3. Fastgør vingen ved brug af anviste skruer og værktøj.



4. Før bundcoveret til korrekt position og fastgør med skrueerne.

BEMÆRK, AT NORTHERN STAR PRO VINGERNE HAR EN MODSAT VINKEL AF TRADITIONELLE VENTILATORER. TJEK VENLIGST AT DE PASSER MED BUNDCOVERET.

KORREKT POSITION AF VINGERNE



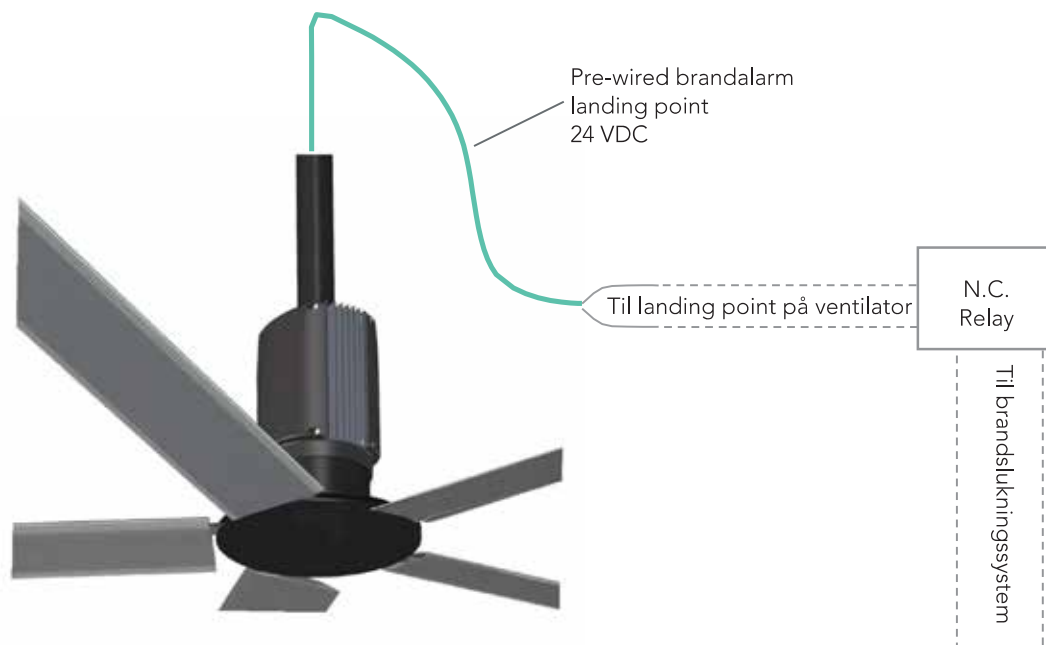
Vinger set **oppefra**.



Vinger set **nedefra**.

EFTER MONTERING AF VINGERNE: Roter ventilatoren med hånden for at sikre, at den roterer frit og ikke kommer i kontakt med forhindringer.

BRANDALARM INSTALLATION



VALGFRI BRANDALARM INSTALLATION

Note: Denne sektion er udelukkende relevant i bygninger udstyret med et brandslukningsssystem. For bygninger uden et brandslukningsssystem, lad blot brandkablet være urørt inde i droptuben. For optimal og mest stabil drift anbefales det at ventilatorens strømforsyning tilkobles direkte til brandslukningssystemet udenom brandkablet. Dette fjerner risikoen for fejlkommunikation ved et langt brandkabel, der ellers utilsigtet kan slukke ventilatoren uden brand.

Vigtigt: Brandalarmrelæet skal udelukkende installeres af kvalificerede personer med kendskab til håndtering af et brandslukningsssystem. Det er udelukkende installatørens ansvar at sikre korrekt håndtering af brandalarmrelæet i tilfælde af brand i bygningen.

Fjern det overskydende stykke wire og fastgør til et normally-closed (N.C.) potentialefrit relæ på brandalarmens nødstop og bygningens brandslukningsystem ved at anvende wirediagrammet ovenfor.

TILSLUTNING AF STRØM & STYRING



Tilslut strømstikket til strømkablet.

Forbind derefter en 230 VAC enkel fase strømforsyning med jord.

STYRINGSMULIGHEDER

Ved bestilling af ventilatoren har du valgt en af nedenstående styringsløsninger der vil bestemme den videre installationsproces.

- **Northern Sky:** Log ind på app.northernsky.io med de brugeroplysninger der

er blevet fremsendt via e-mail.

Bemærk: Efter tilslutning til 230V kan der gå op til 20 minutter inden systemet er online.

- **Nordicco HMI Controller:** Sæt netværkskablet i Controlleren og se manualen for HMI-Controller for de næste skridt.
- **CTS:** Hvis du skal styre og overvåge ventilatoren med et Bygnings Styringsystem (CTS) benyt da CAT6 kablet for tilkobling til CTS-anlægget.

Kontakt din lokale CTS-operatør for videre implementering. Se desuden manualen 'ADVANCED OPERATIONS – INTEGRATING TO A BUILDING MANAGEMENT SYSTEM' som kan findes på www.nordicco.eu/da/manualer

SIKKERHEDSTJEK

Inden montagen anses for afsluttet, skal der udføres et sikkerhedstjek af ventilatoren. Hold en god sikkerhedsafstand til ventilatoren og øg langsomt hastigheden trin for trin, indtil alle hastigheder er afprøvet med begge rotationsretninger - dvs. både frem (forward) og baglæns (reverse).

Hvis der forekommer rystelser, vibrationer eller lignende, stop da ventilatoren omgående. Gennemgå installationsprocessen på ny og justér hvor nødvendigt. Udfør derefter et sikkerhedstjek igen. Hvis problemerne ikke er afhjulpet, sluk da helt for ventilatoren og kontakt Nordicco eller din lokale forhandler.

RENGØRING & VEDLIGEHOJDELSE

RENGØRING

- Inden foretagelse af rengøring skal ventilatoren afbrydes med reparations-/ sikkerhedsafbryder.
- Ventilatorens udvendige overflader, herunder vinger, motor, drive og droptube kan aftørres med en hårdt opvredet klud. Der må udelukkende benyttes rent vand til rengøring.

VEDLIGEHOJDELSE

- For alle produkt vedligeholdelseskrav og anbefalinger, så venligst separat manual 'Drifts- og Vedligeholdelsesmanual', som blev leveret med ventilatoren og som også kan findes online via www.nordicco.eu/da/manualer
- Inden foretagelse af vedligehold skal ventilatoren afbrydes med reparations-/sikkerhedsafbryder.
- Mindst en gang årligt bør montageskruer efterses og efterspændes. Herunder skruer til montage af vinger, droptube samlinger samt skruer i montagebeslag til fast konstruktion.
- Systemets sikkerhedswire bør efterses årligt for at sikre, at denne ikke har synlige skader, begyndende slid eller anden tegn på skade. Ligeledes bør sikkerhedswirens fæstningspunkt på den faste konstruktion efterses for at sikre fuld vedhæftning.
Ved enhver tvivl bør sikkerhedswiren og eller fæstningspunktet udskiftes.
Kontakt Nordicco for information om udskiftning af sikkerhedswiren.
- Motor og andre bevægelige dele er levetidssmurt og kræver ingen vedligehold.

REPARATIONER OG RESERVEDELE

- Kontakt Nordicco A/S i forbindelse med reparationer eller reservedele:

Telefon +45 73 70 90 83

Mail: info@nordicco.eu

Hjemmeside: www.nordicco.eu/da

BEVOR SIE BEGINNEN



ES IST EXTREM WICHTIG, DASS SIE DIESES INSTALLATIONSHANDBUCH VOLLSTÄNDIG GELESEN UND VERSTANDEN HABEN, BEVOR SIE DEN NORDICCO HVLS-VENTILATOR VERWENDEN. EINE FALSCH ANWENDUNG KANN UNTER ANDEREM ZU VERLETZUNGEN UND SACHSCHÄDEN FÜHREN. VOR DER INSTALLATION MUSS SICHERGESTELLT WERDEN, DASS SIE ALLE IN BEZUG AUF DIE INSTALLATION DES VENTILATORS GELTENDEN ÖRTLICHEN VORSCHRIFTEN UND EINSCHRÄNKUNGEN VERSTEHEN.

ZIEL DIESES INSTALLATIONSHANDBUCHS UND DER IST ES, SICHERZUSTELLEN, DASS DER HVLS-VENTILATOR KORREKT INSTALLIERT WIRD. DIESES HANDBUCH MUSS AN EINEM ORT AUFBEWAHRT WERDEN, DER FÜR BENUTZER, MONTEURE UND ANDERE, DIE INFORMATIONEN ZUR ANWENDUNG DER VENTILATOREN BENÖTIGEN, LEICHT ZUGÄNGLICH IST. FALLS EIN HANDBUCH VERLOREN GEHT, KÖNNEN DIE NEUESTEN VERSIONEN IMMER VON DER WEBSEITE HERUNTERGELADEN WERDEN

<https://nordicco.eu/downloads-und-handbuecher/>

ALLGEMEINE SICHERHEITSINFORMATIONEN

WARNUNG

Um die Gefahr eines Feuers, Stromschlags oder Verletzungen von Personen zu verringern, beachten Sie folgendes:

1. Verwenden Sie dieses Gerät nur in der Art und Weise, die vom Hersteller vorgesehen ist. Sollten Sie Fragen haben, wenden Sie sich an Nordicco A/S oder einen Vertreter.
2. Schalten Sie vor der Wartung oder Reinigung des Systems die Stromversorgung am Bedienfeld aus, und trennen Sie es vom Stromnetz, damit die Stromversorgung nicht versehentlich eingeschaltet werden kann.
3. Installationsarbeiten und die elektrische Verkabelung müssen von qualifizierten Technikern in Übereinstimmung mit allen geltenden Normen und Vorschriften ausgeführt werden.
4. VERHINDERN SIE, DASS WASSER ODER LÖSUNGSMITTEL IN DEN MOTOR ODER ANTRIEB EINTRETEN KÖNNEN. MOTOREN ODER ANTRIEBE DÜRFEN UNTER KEINEN UMSTÄNDEN MIT DAMPF, WASSER ODER LÖSUNGSMITTELN BESPRÜHT WERDEN.
5. Es wird dringend empfohlen, einen Notausschalter zwischen dem Ventilator und dem Stromnetz zu installieren. Vergewissern Sie sich, dass sich dieser Schalter NICHT direkt über den Lüfterflügeln befindet, damit er jederzeit zugänglich ist - selbst beim Betrieb des Ventilators.



WICHTIG: ZIEHEN SIE ALLE ANWENDBAREN NORMEN UND VORSCHRIFTEN ZU RATE, UM SICHERZUSTELLEN, DASS ALLE NOTWENDIGEN ANFORDERUNGEN EINGEHALTEN WERDEN. ES LIEGT ALLEIN IN DER VERANTWORTUNG DES MONTEURS, BEI DER INSTALLATION DES VENTILATORS. DIE KONFORMITÄT MIT GELTENDEN GESETZEN SICHERZUSTELLEN.

UM EIN VERLETZUNGSRISIKO ZU VERMEIDEN, VERGEWISSERN SIE SICH STETS, DASS DIE STROMVERSORGUNG AUSGESCHALTET IST, WENN SIE IN UNMITTELBARER NÄHE DES VENTILATORS ODER DER LÜFTERFLÜGEL BZW. DARÜBER ARBEITEN.

PRÜFUNG VOR DER INSTALLATION

1. Vergewissern Sie sich, dass der Deckenventilator an einer Stelle installiert wird, bei der sich die Lüfterflügel mindestens 3,0 Meter über Bodenniveau und in sicherem Abstand zu möglichen Hindernissen befinden.
2. Wenn das Gebäude über ein Zwischengeschoss oder einen anderen erhöhten Bereich verfügt, vergewissern Sie sich, dass von der höchsten Ebene oder vom Deck aus keinen Komponenten des Deckenventilators erreicht werden können.

Der Deckenventilator muss so positioniert sein, dass sich die Spitzen der Lüfterflügel mindestens 1,2 Meter vom weitesten Punkt entfernt befinden, den eine Person beim Herauslehnen erreichen kann.

3. STELLEN SIE SICHER, DASS DER DECKENVENTILATOR NICHT IN DER NÄHE VON SEKTIONALTOREN ODER SONSTIGEN GEBÄUDEÖFFNUNGEN INSTALLIERT WIRD, BEI DENEN WINDBÖEN AUFTRETEN KÖNNEN. DER VENTILATOR SOLLTE NICHT AN STELLEN INSTALLIERT ODER BETRIEBEN WERDEN, BEI DENEN WIND ZUGEHEN IST.
4. Wenn das Gebäude mit einer Sprinkleranlage ausgestattet ist, überprüfen Sie, dass die Positionierung des Ventilators den korrekten Betrieb des Sprinklers nicht beeinträchtigt, und dass die Installation des Ventilators allen Bauvorschriften entspricht.
5. Prüfen Sie, ob sich der gewünschte Montageort des Ventilators direkt unter Leuchten oder Dachfenstern befindet. Sofern möglich, vermeiden Sie die Installation der Ventilatoren unter einer Lichtquelle, um einen stroboskopischen Effekt zu vermeiden, der durch die Drehung des Ventilators verursacht werden kann.
6. Um optimale Leistungen zu erzielen, muss der Ventilator mit einem Mindestabstand zu benachbarten Heizstrahlern und Austritts- bzw. Eintrittsöffnungen von Klimaanlage installiert werden, der dem Durchmesser von zwei Ventilatoren entspricht.
7. VOR DER INSTALLATION MUSS SICHERGESTELLT WERDEN, DASS DIE MONTAGEFLÄCHE FÜR DAS BETRIEBSGEWICHT UND DAS MAXIMALE DREHMOMENT (ROTATIONSKRAFT) DER ZU INSTALLIERENDEN NORDICCO®-VENTILATOREN GEEIGNET IST. ES LIEGT ALLEIN IN DER VERANTWORTUNG DES MONTEURS, SICHERZUSTELLEN, DASS MONTAGEKONSTRUKTION UND INSTALLATIONSVERFAHREN DES VENTILATORS FÜR DEN SICHEREN BETRIEB DES NORDICCO®-VENTILATORS GEEIGNET SIND.

MAX. DREHMOMENT NACH NORDICCO®-VENTILATORGRÖSSE

Ventilatorgröße (Meter)	2.0	3.0	4.0	5.0
Max. Drehmoment (Nm)	9	28	45	64

8. DAS MONTAGE-/BEFESTIGUNGSMITTEL FÜR DIE DECKENMONTAGE MUSS EINE AUSREICHENDE FESTIGKEIT BESITZEN, UM DEM VIERFACHEN (4) GEWICHT DES JEWEILIGEN NORDICCO®-DECKENVENTILATORS STANDZUHALTEN (SIEHE AUCH NACHSTEHENDE TABELLE).

Northern Air® System	2,0M	3,0M	4,0M	5,0M
Hängegewicht	30kg	36kg	42kg	48kg
4 x Hängegewicht	120kg	144kg	168kg	192kg
<hr/>				
Northern Star® System		3,0M	4,0M	5,0M
Hängegewicht		35kg	39kg	44g
5 x Hängegewicht		175kg	195kg	220kg

9. INSTALLATION UND WARTUNG DÜRFEN NUR VON QUALIFIZIERTEM, PROFESSIONELLEM PERSONAL DURCHFÜHRT WERDEN, DAS MIT DEN ÖRTLICHEN VORSCHRIFTEN VERTRAUT IST UND ERFABUNGEN MIT DIESEM GERÄTETYP BESITZT.

BRANDSCHUTZMASSNAHMEN

BEWÄHRTE VERFAHREN BEI BRAND UND FEUERGEFAHR

Da Einbau und Verwendung von HVLS-Ventilatoren nicht in den offiziellen Bauvorschriften oder anderen Gesetzen Dänemarks zum Brandschutz reguliert sind, haben NORDICCO A/S und DBI (Dänisches Institut für Brandschutz und Sicherheitstechnik) diese Anleitung erarbeitet, um die optimale Installation von HVLS-Ventilatoren sicherzustellen. Nach Einschätzung von DBI kann bei Einbau von HVLS-Ventilatoren von NORDICCO® die Brandsicherheit aufrechterhalten werden. Dabei ist zu bemerken, dass die Gefahr der Brandausbreitung umso geringer ist, je kleiner der Rotordurchmesser des HVLS-Ventilators ist. Die Gefahr der Brandausbreitung ist auch abhängig von der Platzierung des jeweiligen HVLS-Ventilators. Im Folgenden werden 3 Szenarien beschrieben, bei denen wichtig ist, die Früherkennung eines beginnenden Feuers zu beurteilen. In allen Zweifelsfällen sollte die konkrete Situation von einem kompetenten Berater beurteilt werden.

Szenarium 1: HVLS-Ventilatoren von NORDICCO® in einem Raum ohne brandtechnische Installationen. HVLS-Ventilatoren können grundsätzlich ohne Beschränkungen eingebaut werden, folgende Punkte sind jedoch zu erwägen:

1. Die HVLS-Ventilatoren sollten so eingebaut werden, dass sie problemlos ausgeschaltet werden können – beispielsweise durch eine Bedientafel, einen Notaus-Schalter oder einen Sicherheitskontakt gut sichtbar an den Ausgängen des Raums oder strategisch platziert.
2. Um eine eventuelle Brandausbreitung zu reduzieren, sollte ein vertikaler Sicherheitsabstand von mindestens 0,5 m zwischen brennbarem Material und den HVLS-Ventilatoren eingehalten werden.
3. Die HVLS-Ventilatoren sollten so weit wie möglich entfernt von Inventar - z. B. Lagerregale - eingebaut werden. Beim Einbau in Lagerräumen mit Regalen sollte über den Gängen eingebaut werden, nicht über der Lagerware.

Szenarium 2: HVLS-Ventilatoren von NORDICCO® in einem Raum mit automatischer Feueralarmanlage. Neben DBIs normalen Richtlinien für Feuermeldeanlagen sind folgende Punkte ebenfalls wichtig.

1. Die HVLS-Ventilatoren müssen ausgeschaltet werden, sobald die Feuermeldeanlage einen Brand feststellt - besser noch vorher. Das kann durch das eingebaute "fire alarm cable" geschehen, oder durch manuelle Ausschalter, wie in Szenarium 1 beschrieben.
2. Bei Feuermeldeanlagen mit Flammendetektoren sollten die Einbauorte der HVLS-Ventilatoren unter Berücksichtigung der Platzierung der Flammendetektoren gewählt werden. Es ist schon vorgekommen, dass Ventilatoren unter der Raumdecke Reflexe erzeugten, die mit dem Lichtschein von Flammen verwechselt wurden und zu Fehlalarmen führten. Flammendetektoren werden typisch in sehr hohen Räumen und bei Atriumanlagen eingesetzt.
3. HVLS-Ventilatoren dürfen nicht in der Sichtlinie von linearen Rauchmeldern eingebaut werden, da sie dort Fehlalarme auslösen können. Ein linearer Rauchmelder nutzt die für Menschen unsichtbaren Lichtspektren ultraviolett und infrarot. Das Licht wird an einer gegenüber liegenden Wand entweder reflektiert oder empfangen. Wenn der Lichtstrahl unterbrochen wird, meldet die automatische Brandmeldeanlage einen Fehler.
4. Wenn Punktrauchmelder eingebaut wurden, sind mehrere Faktoren zu beachten:
 - a) Die Geschwindigkeit des Luftstroms von HVLS-Ventilatoren darf 0,5 m/Sek. nicht übersteigen. Dieser Wert entspricht dem Wert in DBIs Richtlinie 232 für Luftströme von Lüftungsanlagen.
 - b) Von Punktrauchmeldern ist ein Respektabstand zu den Rotorblättern der HVLS-Ventilatoren von mindestens 0,5 m einzuhalten. Bei Zweifeln über die Einbauorte von HVLS-Ventilatoren in Räumen mit einer automatischen Brandmeldeanlage sollte eine autorisierte Installationsfirma den jeweiligen Anwendungsfall beurteilen. Die Installationsfirma muss zugelassen sein, nach den für den Einbau der konkreten automatischen Brandmeldeanlage geltenden Richtlinien zu projektieren.

Szenarium 3: HVLS-Ventilatoren von NORDICCO® in einem Raum mit einer Sprinkleranlage. HVLS-Ventilatoren können durchaus in solchen Räumen eingebaut werden, aber die Sprinkleranlage muss von einem Brand in dem Raum ausgelöst werden können. Die Punkte in Szenarium 1 müssen befolgt werden, darüber hinaus sind folgende Punkte relevant und werden auch von NFPA (National Fire Protection Association) empfohlen:

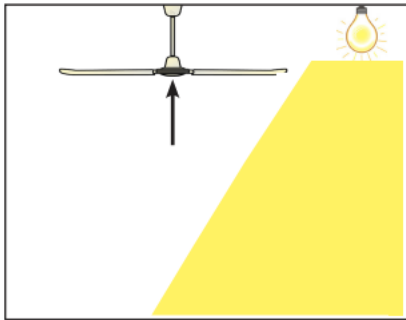
1. Der größte Durchmesser eines HVLS-Ventilators darf 8 Meter nicht überschreiten.
2. Die HVLS-Ventilatoren sollten zwischen 4 Sprinklerköpfen zentriert werden.
3. Die Abstände zwischen den HVLS-Ventilatoren und den Sprinklerköpfen sollten mindestens 0,9 m betragen, um die Aktivierung der Feuerlöschanlage nicht zu stören.
4. HVLS-Ventilatoren sollten mit der automatischen Brandmeldeanlage (wenn sie im Raum installiert ist) und der Steuerungs- und Anzeigeausrüstung der Sprinkleranlage verbunden sein, sodass die HVLS-Ventilatoren heruntergefahren werden, sobald ein Brand erkannt wird.

Bei Zweifeln über die Einbauorte von HVLS-Ventilatoren in Räumen mit einer Sprinkleranlage sollte eine autorisierte Installationsfirma die konkrete Situation beurteilen. Die Installationsfirma muss zugelassen sein, nach den für den Einbau der betreffenden Sprinkleranlage geltenden Richtlinien zu projektieren.

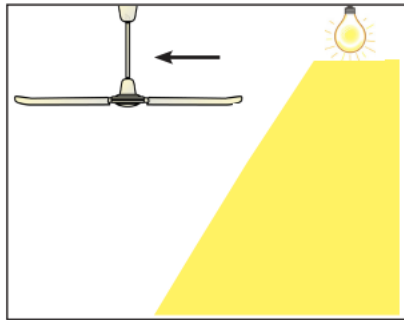
BELEUCHTUNG UND PLATZIERUNG DES DECKENVENTILATORS

Achten Sie auf Lichtquellen, wenn Sie die Platzierung des Deckenventilators wählen. Wenn möglich, sollte der Ventilator immer oberhalb Lichtquellen platziert werden, um Belästigungen zu vermeiden. Im Nachfolgenden finden Sie empfohlene Maßnahmen für die Platzierung, wenn der Deckenventilator in der Nähe von Lichtquellen installiert wird.

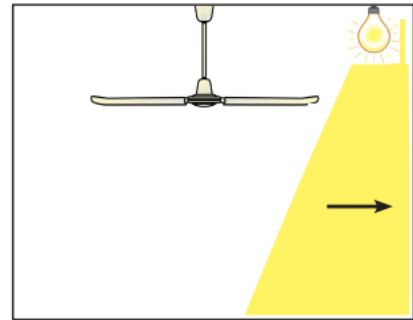
Recommendation #1:
Move Ceiling Fan Up



Recommendation #2:
Move Ceiling Fan Away
From Light



Recommendation #3:
Reduce Light's Angle of
Dispersion



PACKUNGSIHALT

BOX 1

1	Schwenkhalterung
2	Drop Tube
3	Antriebs- und Bordelektronik
4	Motor
5	Sternförmige Messernabe
6	Patchkabel (optional)
7	230 V Netzkabel (3 x 1,0 mm ²)
8	Brandmelder-Kabel
9	Sockelblende
10	Sicherungsdraht
11	Sicherungsdraht-Arretierung (Gripple)
12	2 x Verlängerungsrohre
13	2 x Erweiterungssteckverbinder aus Aluminium
14	Untere Abdeckung



SCHRAUBEN FÜR BETONMONTAGE
HUS3-H 6X60MM (4 Stck.)

SCHRAUBEN FÜR HOLZMONTAGE
8X70MM (4 Stck.)

SCHRAUBEN FÜR STAHLMONTAGE
8X25MM (4 Stck.)
Unterlegscheiben (4 Stck.),
Kontermuttern (4 Stck.)

BOLZEN FÜR DROP TUBE & VERLÄNGERUNGSRÖHR
10X70mm (10 Stck.),
Kontermuttern (10 Stck.)
Plastikkappen (20 Stck.)
(an beiden Enden befestigen)



BOHRER 6MM HSS



BOHRER 5 MM



BOHRER 8,5MM HSS



KEIN VORBOHREN ERFORDERLICH

BOX 2

1 Lüfterflügel aus anodisiertem Aluminium

2 Erforderliche Schrauben und Bolzen



2 **SCHRAUBEN ZUR MONTAGE DER LÜFTERFLÜGEL**
10 Stck. 6 x 16 mm
10 Federringe

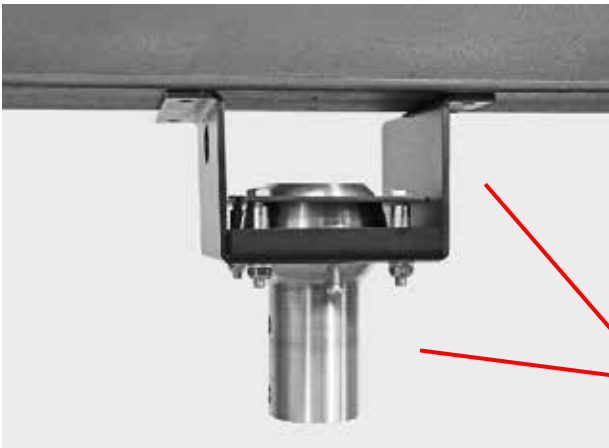


KEIN BOHRER ERFORDERLICH

ERFORDERLICHE WERKZEUGE UND ZUBEHÖR



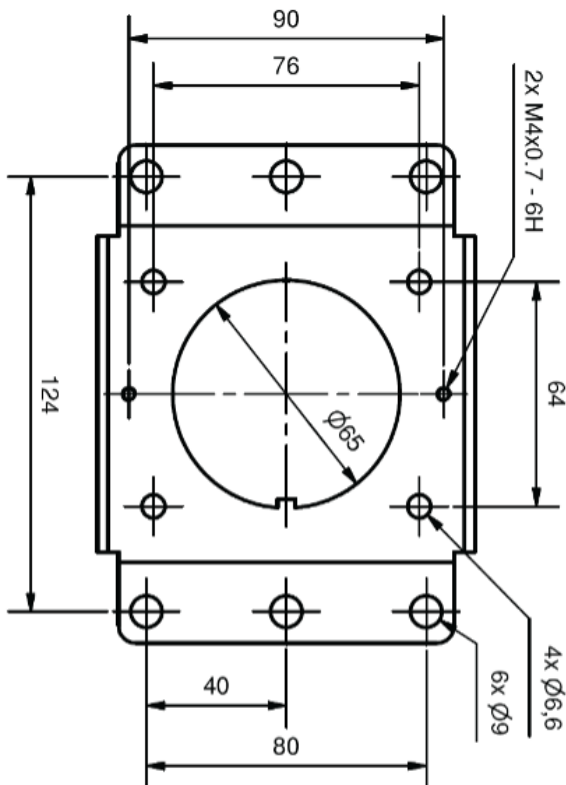
STANDARDMONTAGE



Mithilfe der Schwenkhalterung kann das Ventilator direkt an standardmäßigen I- und H-Stahlträgern, Holzbalken oder Betonbalken montiert werden. Das erfolgt mit den beiliegenden Schrauben und Bolzen.



Vergessen Sie NICHT, die Schrauben nach dem Nivellieren des Ventilators festzuziehen.



ABMESSUNGEN DER SCHWENKHALTERUNG

Bevor Sie eine Standardinstallation durchführen, prüfen Sie bitte, dass der Montageträger breit genug ist, um die Schwenkhalterung aufzunehmen.

Ist das nicht der Fall, können zusätzliche Montagehalterungen verwendet werden. Wenden Sie sich an Ihren Nordicco-Lieferanten.

Bei Installationen, die optionale Montagehalterungen oder zusätzliche Spanndrähte erfordern, sehen Sie in die zugehörigen Handbücher, die der jeweiligen Produktverpackung beiliegen oder heruntergeladen werden können unter: www.nordicco.eu/downloads-und-handbuecher/

STANDARDINSTALLATIONSPROZESS



1
Verwenden Sie die Schwenkhalterung als Vorlage, und bohren Sie die erforderlichen Löcher mithilfe des Bohrers in den Montageträger.

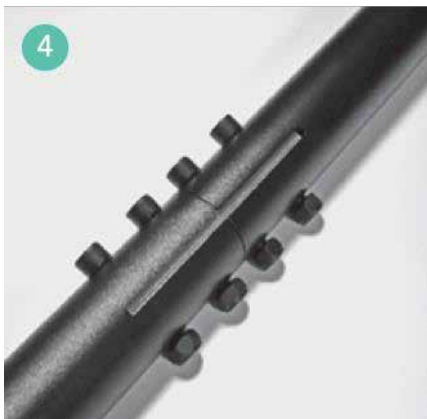


2
Sofern erforderlich, montieren Sie ein oder zwei Verlängerungsröhre mit Erweiterungssteckverbindern aus Aluminium am Drop Tube.



3
Alle Kabel durch das Rohr ziehen.

WICHTIG: Für Northern Star Pro-Ventilatoren muss mindestens ein zusätzliches Fallrohr installiert werden, um den erforderlichen Mindestabstand von 90 cm zwischen Flügel und Decke zu erreichen.



4
Richten Sie die Löcher aus, und ziehen Sie die Bolzen gründlich fest.



5
Befestigen Sie die Schwenkhalterung mit Schrauben (Beton und Holz) oder Bolzen (Stahl) an der Montagefläche. Ziehen Sie diese gründlich fest.



6
Befestigen Sie die Ventilatorbaugruppe mittels Drop Tube an der Schwenkhalterung, indem Sie die vorgeschriebenen Bolzen verwenden und diese sicher fixieren.



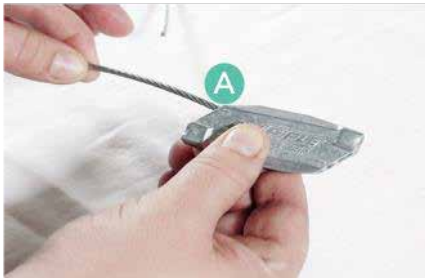
7
Montieren Sie den Sicherheitsdraht um den Montageträger.
WICHTIG: Folgen Sie den Schritten im Abschnitt „Montage und Befestigung des Sicherheitsdrahts“.



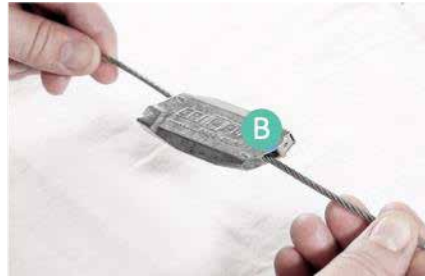
8
Drücken Sie die Montageabdeckung nach oben, und verdrehen Sie diese, um sie mit den beiden kleinen oben abgebildeten Schrauben in Position zu arretieren.

BITTE BEACHTEN SIE: WENN SIE DIE INSTALLATION NICHT DIREKT AUF DER MONTAGEFLÄCHE DURCHFÜHREN KÖNNEN, NUTZEN SIE ZUSÄTZLICHE MONTAGEHALTERUNGEN. WEITERE INFOS ERHALTEN SIE IM GESONDERTEN HANDBUCH ODER BEI IHREM NORDICCO-LIEFERANTEN: WWW.NORDICCO.EU/DOWNLOADS-UND-HANDBUECHER/

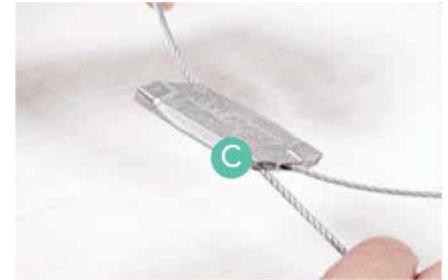
MONTAGE UND BEFESTIGUNG DES SICHERHEITSDRAHTS



Führen Sie den Draht ein, indem Sie diesen in **A** einsetzen und im Uhrzeigersinn eindrehen.



Ziehen Sie den Draht durch **B**.



Ziehen Sie den Draht um den Montageträger, und führen Sie den Draht in **C** ein. Beachten Sie dabei die Pfeilrichtung.



Ziehen Sie den Draht fest. Entfernen Sie den überschüssigen Draht ab, oder organisieren Sie diesen, um sicherzustellen, dass er den Betrieb des Ventilators nicht beeinträchtigt.

HINWEIS: DER SICHERUNGSDRAHT MUSS INSTALLIERT SEIN.

DADURCH WIRD EIN HERUNTERFALLEN DES VENTILATORS IN DEM UNWAHRSCHEINLICHEN FALL VERHINDERT, DASS DAS MONTAGESYSTEM AUSFÄLLT. DER VENTILATOR DARF NIEMALS OHNE ORDNUNGSGEMÄSS INSTALLIERTEN SICHERUNGSDRAHT BETRIEBEN WERDEN, DA DAS ZU TÖDLICHEN ODER SCHWEREN VERLETZUNGEN BZW. SACHSCHÄDEN FÜHREN KANN.

MONTAGE DER LÜFTERFLÜGEL

WICHTIG: JE NACHDEM, WELCHES LÜFTERMODELL SIE INSTALLIEREN, UNTERSCHIEDEN SICH DIE LÜFTERBLÄTTER.

- Für Northern Air® Pro & Northern Air® Aggressive Environment Deckenventilatoren → siehe Abschnitt A.
- Für Northern Star® Deckenventilatoren → siehe Abschnitt B.

LÜFTERFLÜGEL – NORTHERN AIR – ABSCHNITT A



HINWEIS: Vergewissern Sie sich vor der Montage der Lüfterflügel, dass der Ventilator vertikal und horizontal korrekt ausgerichtet ist.

WICHTIG: Benutzen Sie den Ventilator nicht ohne montierte Lüfterflügel, da anderenfalls der Motor und das Antriebssystem beschädigt werden können.



Schieben Sie den Lüfterflügel auf die sternförmige Nabe.



Stellen Sie sicher, dass sich die Lüfterflügel direkt über der sternförmigen Nabe befinden.

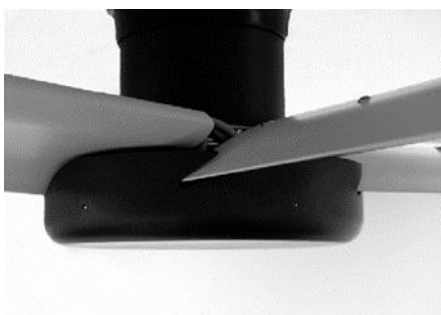


Fixieren Sie die Lüfterflügel mit den vorgeschriebenen Schrauben und Werkzeugen. Hinweis: Schrauben im Bild gezeigt kann variieren



Montieren Sie die Untere Abdeckung in der korrekten Position, und fixieren Sie diese mit Schrauben.

KORREKTE POSITIONIERUNG DER LÜFTERFLÜGEL



Ansicht der Lüfterflügel von unten.

NACH DER MONTAGE DER LÜFTERFLÜGEL: DREHEN SIE DEN VENTILATOR VON HAND, UM SICHERZUSTELLEN, DASS DIESER FREI DREHEN KANN UND KEINE HINDERNISSE BERÜHRT.

LÜFTERFLÜGEL – NORTHERN STAR – ABSCHNITT B



HINWEIS: Vergewissern Sie sich vor der Montage der Lüfterflügel, dass der Ventilator vertikal und horizontal korrekt ausgerichtet ist.

WICHTIG: Benutzen Sie den Ventilator nicht ohne montierte Lüfterflügel, da anderenfalls der Motor und das Antriebssystem beschädigt werden können.



1. Schieben Sie den Lüfterflügel auf die sternförmige Nabe.



2. Stellen Sie sicher, dass sich die Lüfterflügel direkt über der sternförmigen Nabe befinden.



3. Fixieren Sie die Lüfterflügel mit den vorgeschriebenen Schrauben und Werkzeugen.



4. Montieren Sie die Untere Abdeckung in der korrekten Position, und fixieren Sie diese mit Schrauben.

BITTE BEACHTEN SIE, DASS DIE FLÜGEL DES NORTHERN STAR PRO IM VERGLEICH ZU HERKÖMMLICHEN VENTILATOREN ENTGEGENGESETZT GEWINKELT SIND. BITTE PRÜFEN SIE, OB SIE MIT DER UNTEREN ABDECKUNG ZUSAMMENPASSEN.

KORREKTE POSITIONIERUNG DER LÜFTERFLÜGEL



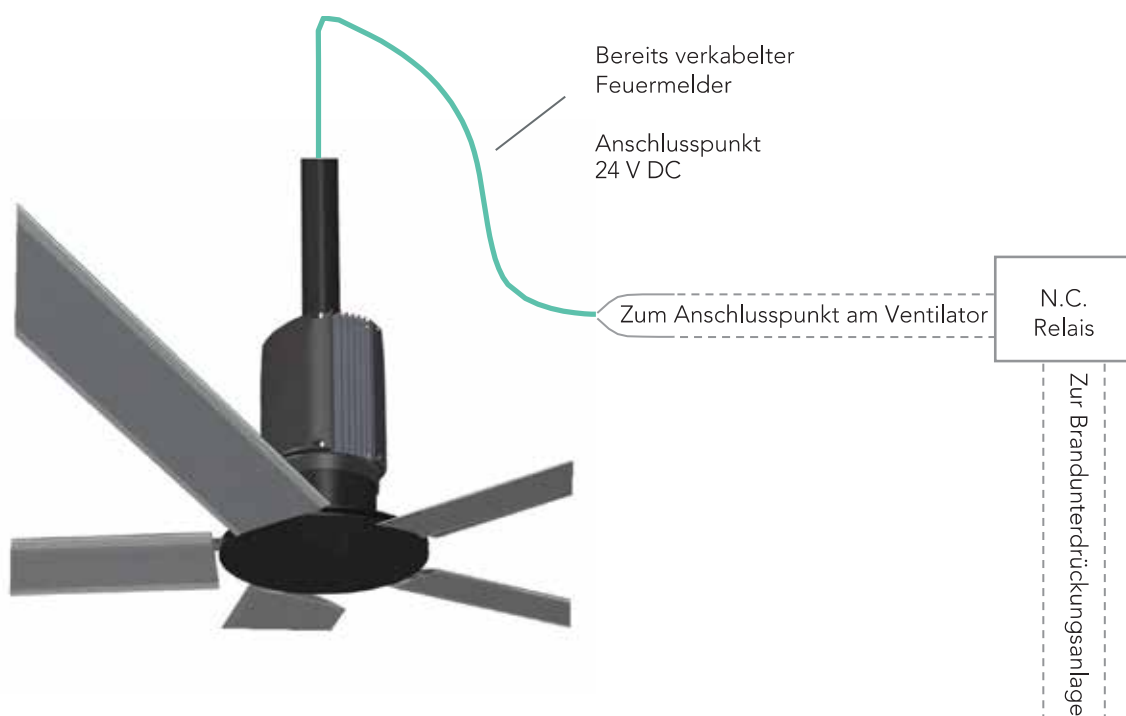
Ansicht der Lüfterflügel von **oben**.



Ansicht der Lüfterflügel von **unten**.

NACH DER MONTAGE DER LÜFTERFLÜGEL: DREHEN SIE DEN VENTILATOR VON HAND, UM SICHERZUSTELLEN, DASS DIESER FREI DREHEN KANN UND KEINE HINDERNISSE BERÜHRT.

INSTALLATION DES FEUERMELDERS



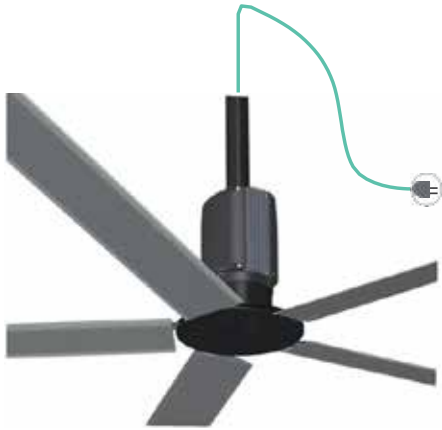
INSTALLATION DES OPTIONALEN FEUERMELDERS

Hinweis: Dieser Abschnitt gilt nur für Gebäude, die mit Brandlöschanlagen ausgestattet sind. Bei Gebäuden ohne Brandunterdrückungsanlage lassen Sie das Brandmeldekabel im Drop Tube einfach unangetastet. Für einen optimalen und stabilen Betrieb wird empfohlen, die Stromversorgung des Ventilators direkt an die Feuerlöschanlage, und nicht an das Brandschutzkabel, anzuschließen. Dadurch wird das Risiko für Fehlkommunikation mit dem Kabel vermieden, das sonst unbeabsichtigt den Ventilator ausschalten konnte, auch wenn es kein Feuer gibt.

Wichtig: Das Feuermelder-Relais darf nur von qualifiziertem Personal installiert werden, das mit dem Betrieb von Brandunterdrückungsanlagen vertraut ist. Es liegt allein in der Verantwortung des Monteurs, die korrekte Handhabung des Feuermelder-Relais bei einem Brand im Gebäude sicherzustellen.

Entfernen Sie überschüssigen Draht, und montieren Sie anhand des obigen Schaltplans ein potenzialfreies Relais, dessen Ruhekontakt an den Feuermelder-Notausschalter und die Brandunterdrückungsanlage des Gebäudes angeschlossen ist.

ANSCHLUSS VON STROM UND STEUERUNG



Netzstecker an Stromkabel anschließen.

Danach eine einphasige 230-VAC Stromversorgung mit Erde anschließen.

STEUERUNGSMÖGLICHKEITEN

Bei der Bestellung des Ventilators haben Sie sich für eine der folgenden Steuerungslösungen entschieden, die den weiteren Installationsprozess bestimmt.

- **Northern Sky:** Gehen Sie auf app.northernsky.io und verwenden Sie die per E-Mail zugesendete Benutzerinformationen, um einzuloggen.
Achtung: Nach dem Anschluss zu 230V dauert es bis zu 20 Minuten, bis das System online ist.
- **Nordicco HMI Controller:** Setzen Sie den Netzkabel im Controller ein, und sehen Sie das HMI-Controller Handbuch für die weiteren Schritte.
- **GMS:** Wenn Sie den Ventilator mit einem Gebäudemanagementsystem (GMS) steuern und überwachen wollen, müssen Sie das CAT6-Netzkabel zum Anschluss an das GMS verwenden.

Kontaktieren Sie Ihren GMS-Operator für weitere Installation. Sehen Sie außerdem das Handbuch 'ADVANCED OPERATIONS – INTEGRATING TO A BUILDING MANAGEMENT SYSTEM' auf folgendem Link

<https://nordicco.eu/downloads-und-handbuecher/>

SICHERHEITSPRÜFUNG

Die Installation ist erst ganz fertig, wenn der Ventilator eine Sicherheitsprüfung durchgeführt hat. Halten Sie einen sicheren Abstand zum Ventilator und erhöhen Sie die Geschwindigkeit langsam Schritt für Schritt, bis alle Geschwindigkeiten mit beiden Drehrichtungen - d.h. vorwärts (forward) und rückwärts (reverse) - getestet sind.

Bei Erschütterungen, Vibrationen o.ä. soll der Ventilator sofort ausgemacht werden. Überprüfen Sie den Installationsvorgang noch einmal und justieren Sie gegebenenfalls. Führen Sie die Sicherheitsprüfung erneut durch. Wenn die Probleme nicht behoben sind, machen Sie den Ventilator aus und kontaktieren Sie Nordicco oder Ihren Händler.

REINIGUNG & WARTUNG

REINIGUNG

- Der Ventilator muss mithilfe des Reparatur-/Sicherheitsschalters ausgeschaltet werden, bevor irgendwelche Reinigungsaufgaben durchgeführt werden.
- Die Außenflächen des Ventilators, einschließlich der Lüfterflügel, des Motors, Antriebs und Drop Tubes, können mit einem fest ausgewrungenen Tuch abgewischt werden. Verwenden Sie zur Reinigung ausschließlich sauberes Wasser.

WARTUNG

- Alle Wartungsforderungen und -empfehlungen für das Produkt finden Sie im separaten Handbuch "Betriebs- und Wartungshandbuch", das mit dem Ventilator geliefert wurde und auch online unter nordicco.eu/downloads-und-handbuecher/ heruntergeladen werden kann.
- Der Ventilator muss mithilfe des Reparatur-/Sicherheitsschalters heruntergefahren werden, bevor irgendwelche Wartungsarbeiten durchgeführt werden.
- Die Befestigungsschrauben müssen mindestens einmal jährlich untersucht und erneut festgezogen werden. Das beinhaltet die Befestigungsschrauben der Lüfterflügel, die Montageschrauben des Drop Tubes sowie die Schrauben/Bolzen zur Montage in einer festen Konstruktion und/oder Montagehalterungen.
- Der Sicherungsdraht des Systems muss jährlich untersucht werden, um sicherzustellen, dass dieser keine Anzeichen für sichtbare Schäden, beginnenden Verschleiß oder andere Beschädigungen aufweist. Gleichmaßen muss jener Punkt untersucht werden, an dem der Sicherungsdraht mit der festen Struktur verbunden ist, um eine komplette Anbindung zu gewährleisten.

Bei Zweifeln müssen Sicherungsdraht und/oder Anschlagpunkt ausgetauscht werden.

Wenden Sie sich an Nordicco, um weitere Informationen über das Auswechseln des Sicherungsdrahts zu erhalten.

- Der Motor und andere bewegliche Teile sind lebensdauer geschmiert und benötigen keine Wartung.

REPARATUREN UND ERSATZTEILE

- Wenden Sie sich an Nordicco, wenn Sie weitere Informationen bezüglich Reparaturen oder Ersatzteile benötigen.

Nordicco A/S

Telefon: +45 73 70 90 83

E-Mail: info@nordicco.eu

Webseite: www.nordicco.de

INNAN DU BÖRJAR



DET ÄR EXTREMT VIKTIGT ATT LÄSA OCH FÖRSTÅ HELA DENNA INSTALLATIONSHANDBOK INNAN DU ANVÄNDER NORDICCO HVLS FLÄKT. FELAKTIG ANVÄNDNING KAN RESULTERA TILL PERSONSKADA OCH SKADA PÅ INVENTARER M.M.

INNAN INSTALLATIONEN ÄR DET VIKTIGT ATT FÖRSÄKRA DIG OM ATT DU FÖRSTÅR ALLA LOKALA REGLER OCH BEGRÄNSNINGAR AVSEENDE INSTALLATION AV FLÄKTEN.

SYFTET MED DENNA INSTALLATIONS MANUAL ÄR ATT SÄKRA ATT HVLS FLÄKT ÄR KORREKT INSTALLERAD. DENNA MANUAL BÖR FÖRVARAS PÅ EN PLATS DÄR DEN ÄR LÄTTTILLGÄNGLIG FÖR ANVÄNDARE, INSTALLATÖRER OCH ANDRA SOM KANSKE BEHÖVER INFORMATION OM ANVÄNDNING AV FLÄKTEN. OM EN MANUAL TAPPAS BORT KAN DE SENASTE VERSIONERNA ALLTID LADDAS NER FRÅN WEBBPLATSEN PÅ: www.nordicco.eu/sv/manualer

ALLMÄN SÄKERHETSINFORMATION

VARNING

För att minska risken för brand, elektriska stötar eller personskador måste följande observeras:

1. Använd endast detta system enligt anvisningar från tillverkaren. Om du har några frågor, vänligen kontakta Nordicco A/S eller dess representanter.
2. Innan du servar eller rengör systemet, slå av strömmen till kontrollenheten och koppla bort den från elnätet för att förhindra att strömmen slås på av misstag.
3. Installationsarbeten och elektriska ledningar måste utföras av kvalificerade fackmän i enlighet med alla tillämpliga standarder och föreskrifter.
4. LÅT INTE VATTEN ELLER LÖSNINGMEDEL KOMMA IN I MOTORN ELLER DREV. MOTORN ELLER DRIVENHETEN FÅR UNDER INGA OMSTÄNDIGHETER SPRAYAS MED ÅNGA, VATTEN ELLER LÖSNINGSMEDEL.
5. Det rekommenderas att en reparations-/säkerhetsbrytare installeras mellan varje fläkt och elnätet. Se till att en sådan omkopplare är installerad. Placera den INTE direkt ovanför bladen så att den alltid är tillgänglig – även när fläkten är igång.



VIKTIGT: KONTROLLERA ALLA TILLÄMPLIGA STANDARDER OCH REGLER FÖR ATT FÖRSÄKRA ATT DE ÖVERENSSTÄMMER MED ALLA NÖDVÄNDIGA KRAV. INSTALLATÖREN ANSVARAR FÖR ATT FÖRSÄKRA ATT TILLÄMPLIGA REGLER ÖVERENSSTÄMMER NÄR FLÄKTEN INSTALLERAS.

FÖR ATT UNDVIKA RISK FÖR PERSONSKADA, SE ALLTID TILL ATT STÄNGA AV STRÖMFÖRSÖRJNING VID ARBETE I NÄRHETEN OCH OVANFÖR FLÄKTEN ELLER BLADEN.

KONTROLL FÖRE INSTALLATION

1. Kontrollera att takfläkten kan installeras på en plats där bladen är minst 3,0 meter över golvnivå med säkert avstånd till eventuella hinder.
2. Om byggnaden har en mezzanin eller andra förhöjda ytor som kan nås av människor, ska det kontrolleras att inga komponenter i takfläkten kan nås från högsta nivå eller däck. Takfläkten måste placeras så att spetsarna på bladen är minst 1,2 meter bort från den kortaste punkt där en person kan sträcka sig.
3. **SE TILL ATT TAKFLÄKTEN INTE ÄR MONTERAD NÄRA DÖRRAR ELLER ANDRA BYGGNADSÖPPNINGAR DÄR VINDAR KAN FINNAS. TAKFLÄKTEN SKA INTE INSTALLERAS ELLER ANVÄNDAS PÅ PLATSER DÄR DET BLÅSER.**
4. Om byggnaden är utrustad med ett sprinklersystem, kontrollera att fläktens placering inte stör sprinklerdriften och att installationen av takfläkten överensstämmer med alla byggregler och standarder.
5. Kontrollera om den avsedda placeringen av takfläkten är direkt under lampor eller takfönster. Undvik om möjligt att installera takfläkten under en ljuskälla för att förhindra en stroboskopisk effekt som kan orsakas av takfläktens rotation.
6. För bästa möjliga prestanda måste takfläkten installeras med ett minsta avstånd på två fläktdiametrar från närmaste värmestrålare och VVS-systems avgaser eller intag.
7. **INNAN INSTALLATION ÄR DET VIKTIGT ATT KONTROLLERA ATT FÄSTPUNKTEN PÅ DEN EXISTERANDE STRUKTUREN TÅL VIKTEN OCH MAXIMALA VRIDMOMENTET (MOMENT) FÖR DE NORDICCO®-FLÄKTAR SOM SKA INSTALLERAS. DET ÄR INSTALLATÖRENS ANSVAR ATT FÖRSÄKRA ATT TAKFLÄKTENS BEFINTLIGA KONSTRUKTION OCH INSTALLATIONSMETOD ÄR LÄMPLIG FÖR SÄKER DRIFT AV TAKFLÄKTEN.**

MAX MOMENT PER NORDICCO® FLÄKTSTORLEK

Fläktstorlek (meter)	2,0	3,0	4,0	5,0
Max. torque (Nm)	9	28	45	64

8. **MONTERINGSANORDNINGEN FÖR MONTERINGEN I TAKET SKA VARA TILLRÄCKLIGT STARK FÖR ATT STÖDJA FYRA (4) ELLER FEM (5) GANGER VIKTEN PÅ DEN SPECIFIKA NORDICCO®-FLÄKTEN (SE TABELL NEDAN) FÖR DETALJER:**

Northern Air® Systemer	2,0M	3,0M	4,0M	5,0M
Upphängd	30kg	36kg	42kg	48kg
4 x Upphängd	120kg	144kg	168kg	192kg

Northern Star® Systemer	3.0M	4.0M	5.0M
Upphängd	35kg	39kg	44g
5 x Upphängd	175kg	195kg	220kg

9. **INSTALLATION OCH UNDERHÅLL SKA ENDAST UTFÖRAS AV KVALIFICERAD PROFESSIONELL PERSONAL SOM KÄNNER TILL LOKALA REGLER SAMT ÄR ERFAREN AV DENNA TYP AV UTRUSTNING.**

FÖRSIKTIGHETSÅTGÄRDER VID BRAND

BÄSTA PRAxis I RELATION TILL BRAND OCH BRANDRISKER

Eftersom installation och användning av HVLS-fläktar inte regleras av byggreglerna eller annan lagstiftning i relation till brandskydd, har Nordicco A/S och DBI (Danish Brand Institute) utarbetat denna guide för att säkerställa en optimal installation av HVLS-fläktarna. Det är DBIs bedömning att NORDICCO® HVLS-fläktar kan installeras med bibehållen brandsäkerhet. Det bör dock noteras att ju mindre rotordiametern på HVLS-fläkten är, desto mindre är risken för brandspridning. Risken för brandspridning beror också på placeringen av den enskilda HVLS-fläkten. Nedan beskrivs 3 scenarier där det är relevant att bedöma upptäckten av en begynnande brand. I alla tveksamma fall bör en kompetent rådgivare konsulteras för en bedömning av den specifika situationen.

Scenario 1: NORDICCO® HVLS-fläktar installerade i ett rum utan brandtekniska installationer. Fläktar kan i princip installeras utan begränsningar, men följande punkter bör beaktas:

1. HVLS-fläktarna ska installeras så att de kan stängas av på ett enkelt sätt – till exempel via manöverpanel, nödstopp eller säkerhetsbrytare monterad synligt vid utgångar från rummet eller placerade på strategiska platser.
2. Ett vertikalt avstånd på minst 0,5 meter från brännbart lager till HVLS-fläktarna bör hållas för att säkerställa att eventuell brandspridning minskas.
3. HVLS-fläktarna ska installeras så långt från förvaringen - t ex förvaringsställ - som möjligt. Vid installation i en förvaringsdel med ställ bör den installeras ovanför korridoren och inte ovanför de lagrade föremålen.

Scenario 2: NORDICCO® HVLS-fläktar installerade i ett rum där ett ABA-system (automatiskt brandlarmsystem) är installerat. Utöver DBI's normala riktlinjer för ABA-anläggningar är även nedanstående punkter relevanta.

1. HVLS-fläktarna måste stanna när ABA-systemet upptäcker en brand och helst före denna tidpunkt. Detta kan göras via den inbyggda "brandlarmskabeln", eller via manuella stopp enligt scenario 1.
2. Vid ABA-system med flamdetektorer bör placeringen av HVLS-fläktarna bedömas i förhållande till placeringen av flamdetektorer. Det finns exempel där takfläktar producerar reflektioner som misstas för ljus från en låga och därigenom utlöser ett oavsiktligt larm. Flamdetektorer används vanligtvis i rum med hög takhöjd och i samband med atrium system.
3. HVLS-fläktarna får inte installeras i några siktlinjer för linjerökdetektorn, eftersom detta kan orsaka falsklarm på ABA-systemet. En linjerökdetektor använder ultraviolett och infrarött ljus som inte är synligt. Ljuset tas emot eller reflekteras på en motsatt vägg. Om ljusstrålen avbryts går ABA-systemet i felläge.
4. Där punktrökdetektorer är installerade måste hänsyn tas till:
 - a) Hastigheten på luftflödet från HVLS-fläktarna får inte överstiga 0,5 m/sek. Detta värde motsvarar värdet i DBI:s riktlinje 232 för luftflöden från ventilationssystem.
 - b) Ett respektfullt avstånd från punktrökdetektorer till HVLS-fläktarnas blad måste hållas på minst 0,5 m.
Vid tveksamhet om placeringen av HVLS-fläktarna i lokaler där ABA-system är installerade bör ett godkänt installationsföretag bedöma specifikt fall. Installationsföretaget ska vara godkänt att projektera enligt den riktlinje som nuvarande ABA-system installeras enligt.

Scenario 3: NORDICCO® HVLS-fläktar installerade i ett rum där ett automatiskt sprinklersystem (AVS-system) är installerat. HVLS-fläktar kan installeras i sådana rum, men det måste beaktas att AVS-systemet ska kunna aktiveras vid brand i rummet. Punkterna i scenario 1 bör följas och dessutom är punkterna nedan också relevanta och rekommenderas av NFPA (National Fire Protection Association):

1. HVLS-fläktens största diameter bör inte överstiga 8 meter.
2. HVLS-fläktarna ska vara centrerade mellan 4 sprinklerhuvuden.

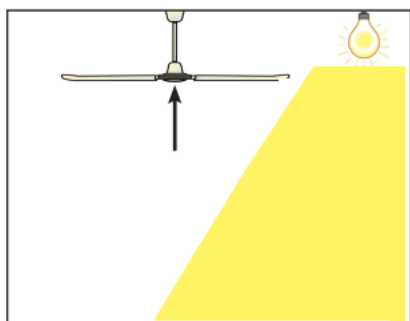
3. Avståndet mellan HVLS-fläktarna och sprinklerhuvudena bör vara minst 0,9 meter, för att inte störa aktiveringen av sprinklersystemet.
4. HVLS-fläktar bör anslutas till ABA-systemet (om installerat i rummet) och sprinklersystemets styr- och indikeringsutrustning, så att HVLS-fläktarna stannar när en brand upptäcks.

Vid tveksamhet om placeringen av HVLS-fläktar i lokaler där sprinklersystem är installerade bör ett godkänt installationsföretag bedöma det specifika fallet. Installationsföretaget ska vara godkänt att projektera enligt den riktlinje som nuvarande sprinkleranläggning är utformad efter.

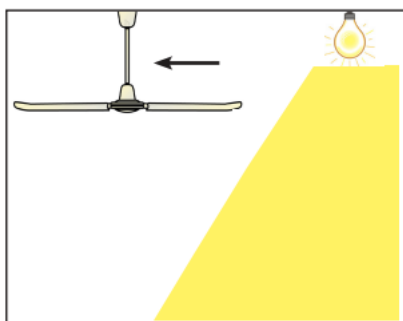
BELYSNING OCH PLACERING AV FLÄKT

Var uppmärksam på ljuskällor när du väljer en plats i taket. Så långt det är möjligt bör fläkten alltid placeras ovanför ljuskällor för att undvika störningar. Se nedan rekommenderade åtgärder angående plats när installationen sker nära ljuskällor:

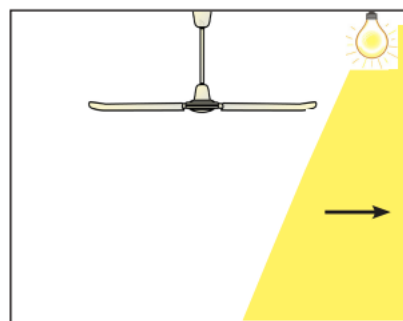
Recommendation #1:
Move Ceiling Fan Up



Recommendation #2:
Move Ceiling Fan Away
From Light



Recommendation #3:
Reduce Light's Angle of
Dispersion



LÅDANS INNEHÅLL

KASSE 1

1	Sadel
2	Drop Tube
3	Drive och elektronik
4	Motor
5	Starfish Blade Hub
6	Patchkabel (tillval)
7	230V kraftledning (3 x 1,0 mm ²)
8	Brandlarmskabel
9	Mount Cover
10	Säkerhetsvajer
11	Säkerhetsvajerlås (Gripple)
12	2 x Förlängningsrör (Extension Tubes)
13	2 x Alu Extension Connectors
14	Nedre Cover



SKRUVAR TILL MONTERING I BETONG
4 STK. HUS3-H 6X60MM

SKRUVAR TILL MONTERING I TRÄ
4 stk. 8x70 mm.

BULTAR TILL MONTERING I STÅL
4 stk. 8x25 mm.
4 skiver, 4 låsmuttrar

DROP TUBE & EXTENSION TUBE BOLTE
10 stk. 10x70 mm., 10 låsmuttrar
20 stk. plast caps (fäst i båda ändarna)



BORR 6MM HSS



BORR 5 MM



BORR 8,5MM HSS



INGEN BORR BEHÖVS

KASSE 2

1 Luftblad i anodiserad aluminium

2 Skruvar och bultar som krävs



SKRUVAR FÖR MONTERING AV LUFTBLAD
10 st. 6 x 16 mm 10 låsfjäderbrickor

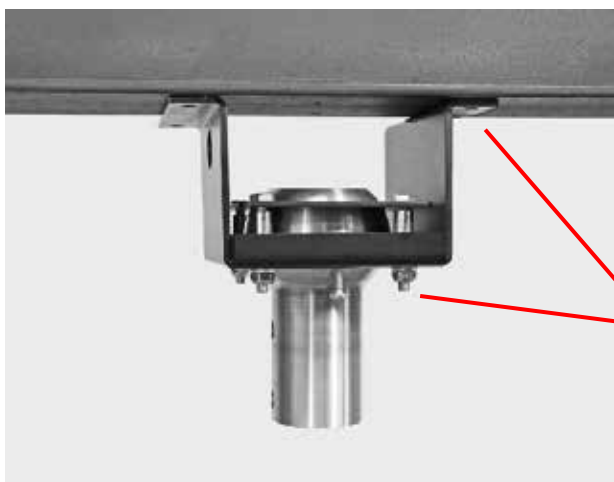


INGEN BORR BEHÖVS

NÖDVÄNDIGA VERKTYG OCH TILLBEHÖR



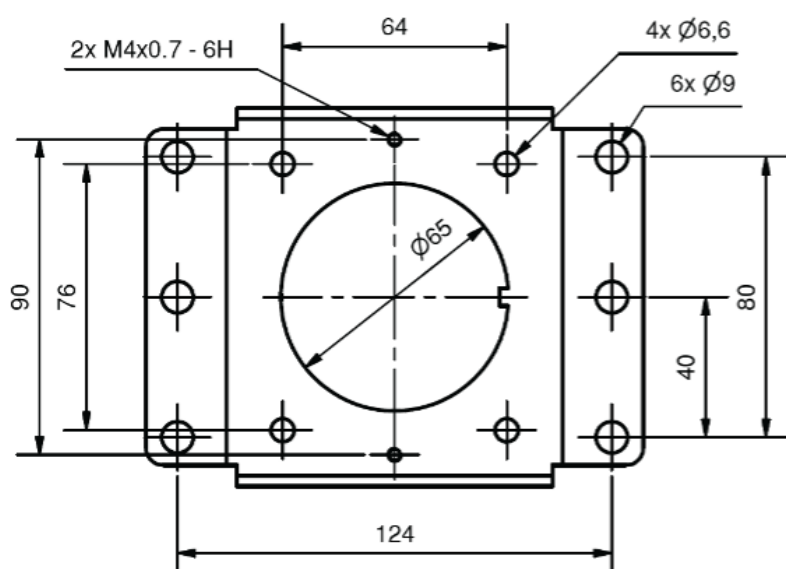
STANDARDINSTALLATION



Genom att använda sadeln kan takfläkten monteras direkt på standard I och H ståltakbjälkar, samt trä och betongbalkar. Detta görs med hjälp av de medföljande skruvarna och bultarna.



KOM IHÅG att dra åt skruvar/bultar efter upphängning och utjämning av fläkten.



SADELMÅTT

Innan du utför standardinstallationen, kontrollera att monteringsbalken har tillräcklig bredd för att montera sadeln.

Om så inte är fallet kan ytterligare monteringsfästen användas. Kontakta din Nordicco-återförsäljare för att höra mer.

För installationer som använder extra valfria monteringsfästen eller stabiliseringstrådar, se manualen 'Extra monteringsalternativ', som finns i respektive produktförpackning eller kan laddas ner från: www.nordicco.eu/sv/manualer

STANDARD INSTALLATIONSPROCESS



Använd sadeln som mall för att borra de nödvändiga hålen i monteringsbalken med lämplig borrh.

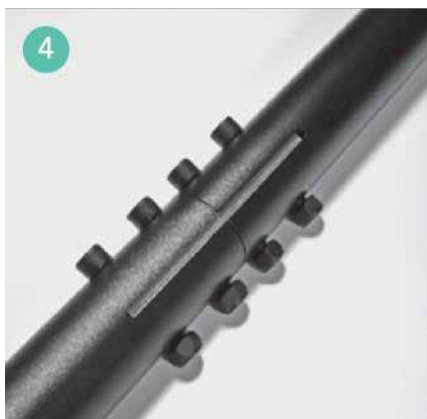


Fäst vid behov ett eller två förlängningsrör till fallröret med hjälp av förlängningskopplingar av aluminium.

VIKTIG: För Northern Star Pro-fläktar måste minst ett extra fallrör installeras för att nå det erforderliga minsta avståndet mellan blad och tak på 90 cm.



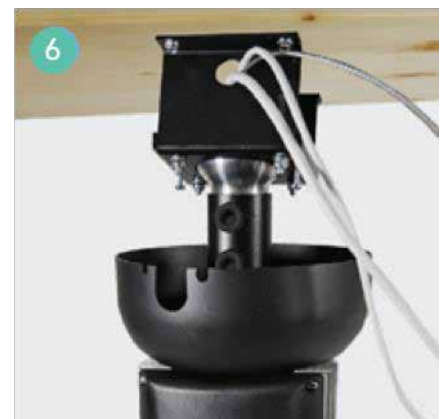
Dra alla kablar genom fallröret.



Rikta in tills hålen är i linje och dra åt bultarna ordentligt.



Fäst sadeln på monteringsytan med skruvar (för trä och betong) eller bultar (för stål). Dra åt ordentligt.



Fäst fläkten på sadeln via fallröret med de medföljande bultarna och fäst ordentligt.

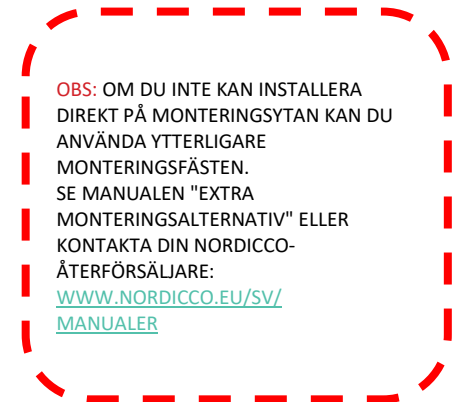


Fäst säkerhetsvadjern runt monteringsbalken.

VIKTIGT: Följ anvisningarna i avsnittet "Installera och säkra säkerhetsvadjern".

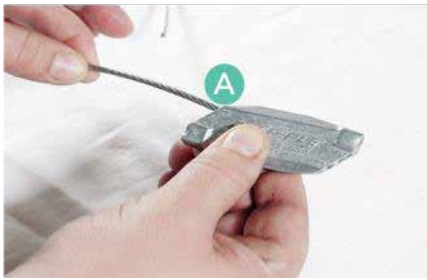


Skjut upp kåpan och vrid för att låsa det på plats med de två små skruvarna som visas ovan.

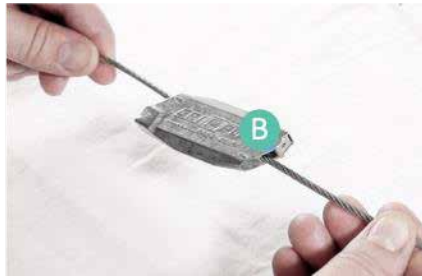


OBS: OM DU INTE KAN INSTALLERA DIREKT PÅ MONTERINGSYTAN KAN DU ANVÄNDA YTTERLIGARE MONTERINGSFÄSTEN. SE MANUALEN "EXTRA MONTERINGSALTERNATIV" ELLER KONTAKTA DIN NORDICCO-ÅTERFÖRSÄLJARE:
WWW.NORDICCO.EU/SV/MANUALER

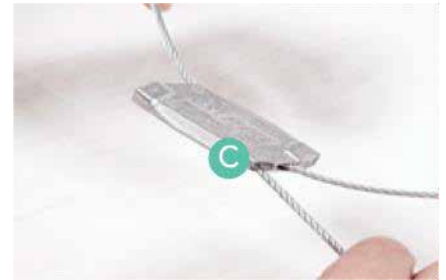
INSTALLERA OCH SÄKRA SÄKERHETSVAJERN



För in kabeln genom att föra in den i **A** och vrida den medurs.



Dra vajern genom **B**.



Dra i kabeln runt monteringskenan och för in kabeln i **C**. Följ pilarnas riktning.



Dra åt vajern. Klipp eller justera överflödig tråd för att säkerställa att den inte påverkar fläkten när den är i drift.

OBS: SÄKERHETSVAJERN MÅSTE INSTALLERAS.

SÄKERHETSVAJERN FÖRHINDRAR FLÄKTEN FRÅN ATT FALLA NER OM INSTALLATIONSSYSTEMET INTE FUNGERAR. FLÄKTEN BÖR ALDRIG ANVÄNDAS UTAN EN KORREKT INSTALLERAD SÄKERHETSVAJER, DETTA KAN RESULTERA I LIVSFARA, ALLVARLIG SKADA ELLER SKADA PÅ INVENTARER.

INSTALLATION AV LUFTBLAD

VIKTIGT: DER ER FORSKEL PÅ VINGERNE ALT EFTER HVILKEN VENTILATORMODEL DU INSTALLERER.

- För Northern Air® Pro & Northern Air® Aggressive Environment fläktarne → se avsnitt A.
- För Northern Star® fläktarne → se avsnitt B.

LUFTBLAD – NORTHERN AIR – AVSNITT A



OBS: Se till att fläkten är vertikalt och horisontellt i nivå innan du monterar bladen.
VIKTIGT: Använd inte fläkten utan luftblad monterade, eftersom detta kan skada motorn och drivsystemet.



Skjut in luftbladet på sjöstjärnans nav.



Se till att hålen är placerade direkt över hålen i sjöstjärnan.

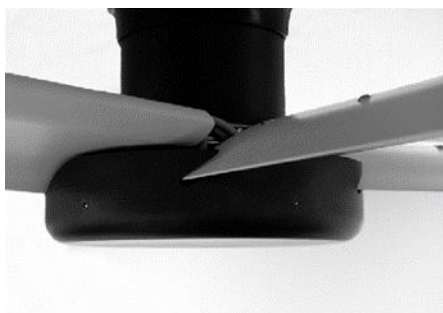


Se till att luftbladens hål är rakt över sjöstjärnans nav. Notera: Skruvar som visas på bilden kan variera.



Flytta baskåpan till rätt placering och säkra med skruvarna.

KORREKT PLACERING AV VINGARNE



Blad sedda **underifrån**.

EFTER INSTALLATION AV LUFTBLADEN:
ROTERA FLÄKTEN FÖR HAND FÖR ATT FÖRSÄKRA ATT DEN KAN ROTERA FRITT UTAN ATT RÖRA NÅGOT HINDER.

LUFTBLAD – NORTHERN STAR – AVSNITT B



OBS: Se till att fläkten är vertikalt och horisontellt i nivå innan du monterar bladen.
VIKTIGT: Använd inte fläkten utan luftblad monterade, eftersom detta kan skada motorn och drivsystemet.



1. Skjut in luftbladet på sjöstjärnans nav.



2. Se till att hålen är placerade direkt över hålen i sjöstjärnan.



3. Se till att luftbladens hål är rakt över sjöstjärnans nav.



4. Flytta baskåpan till rätt placering och säkra med skruvarna.

NOTERA ATT NORTHERN STAR PRO AIR-BLAD ÄR VINKLADE TVÄRT EMOT TRADITIONELLA FLÄKTAR. KONTROLLERA ATT DE PASSAR MED NEDRE COVERET.

KORREKT PLACERING AV VINGARNE



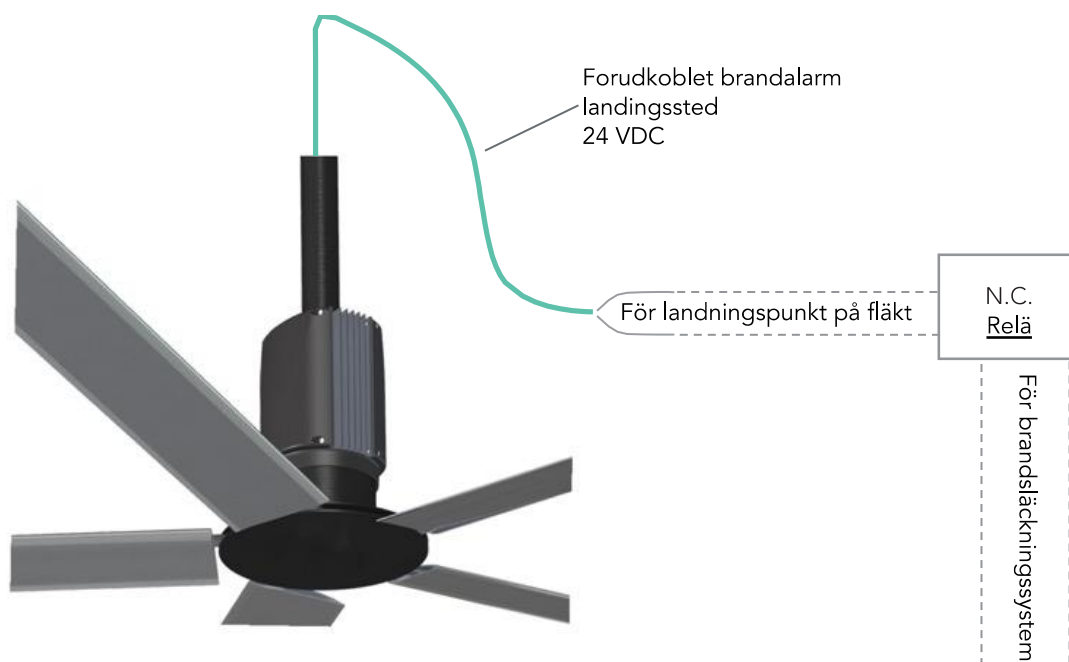
Blad sedda **uppifrån**.



Blad sedda **underifrån**.

**EFTER INSTALLATION AV LUFTBLADEN:
ROTERA FLÄKTEN FÖR HAND FÖR ATT FÖRSÄKRA ATT DEN KAN ROTERA FRITT UTAN ATT RÖRA NÅGOT HINDER.**

INSTALLATION AV BRANDLARM



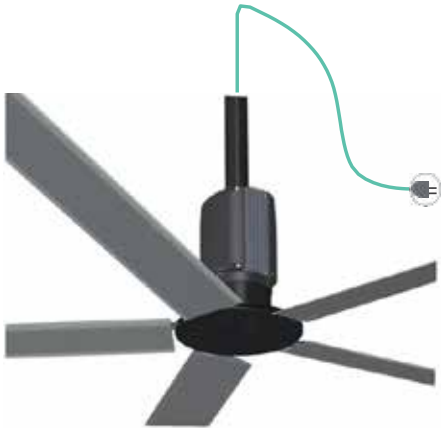
VALFRI INSTALLATION AV BRANDLARM

Obs: Detta avsnitt är endast relevant i byggnader utrustade med ett brandsläckningssystem. För byggnader utan brandsläckningssystem, lämna helt enkelt brandkabeln orörd inuti fallröret. För optimal och stabil drift rekommenderas att fläktens strömförsörjning kopplas direkt till brandsläckningssystemet utan brandkabel. Detta tar bort risken för felkommunikation med en lång brandkabel, som annars oavsiktligt skulle kunna stänga av fläkten utan brand.

Viktigt: Brandlarmsreläet får endast installeras av kvalificerade personer med kunskap om hantering av ett brandsläckningssystem. Det är installatörens ansvar att säkerställa korrekt hantering av brandlarmsreläet vid brand i byggnaden.

Ta bort överskottskabeln och anslut till ett normalt stängt (N.C.) potentialfritt relä på brandlarmets nödstopp och byggnadens brandsläckningssystem med hjälp av kopplingschemat ovan.

ANSLUTNING TILL STRÖM & KONTROLL



Anslut strömkontakten till strömkabeln.

Anslut sedan en 230 VAC enfas strömkälla till jord.

KONTROLLALTERNATIV

Vid beställning av fläkten har du valt en av styrlösningarna nedan som avgör den fortsatta installationsprocessen.

- **Northern Sky:** Logga in på app.northernsky.io med användarinformationen som har skickats via e-post.

Obs: Efter anslutning till 230V kan det ta upp till 20 minuter innan systemet är online.

- **Nordicco HMI Controller:** Anslut nätverkskabeln till styrenheten och se manualen för HMI-Controller för ytterligare nästa steg.
- **BMS:** Om du behöver styra och övervaka fläkten med ett befintligt fastighetssystem (Building Management System), använd då CAT6-kabeln för anslutning till systemet.

Kontakta ansvarig för styrsystemet för vidare implementering. Se även manualen 'AVANCERADE ANVÄNDNINGAR – INTEGRERA I ETT BEFINTLIGT STYRSYSTEM' som finns på www.nordicco.eu/sv/manualer

SÄKERHETSKONTROLL

Innan installationen anses avslutad ska en säkerhetskontroll av fläkten utföras. Håll ett bra säkerhetsavstånd till fläkten och öka sakta hastigheten steg för steg tills alla hastigheter har testats med båda rotationsriktningarna - d.v.s. både framåt och bakåt.

Om det uppstår skakningar, vibrationer eller liknande, stoppa fläkten omedelbart. Gå igenom installationsprocessen igen och justera vid behov. Gör sedan en säkerhetskontroll igen. Om problemen inte är lösta, stäng av fläkten helt och kontakta Nordicco eller din lokala återförsäljare.

STÄDNING & UNDERHÅLL

STÄDNING

- Innan rengöring ska fläkten stängas av med reparations-/säkerhetsbrytaren.
- Fläktens yttre ytor, inklusive blad, motor, drivning och fallrör kan torkas av med en hårt urvriden trasa. Endast rent vatten får användas för rengöring.

UNDERHÅLL

- För alla underhållskrav och rekommendationer, se den separata manualen 'Drift- och underhållshandbok', som levererades med fläkten och som också finns online www.nordicco.eu/sv/manualer
- Innan underhåll utförs måste fläkten stängas av med reparations-/säkerhetsbrytaren.
- Minst en gång per år bör monteringskruvar inspekteras och efterdras. Inklusive skruvar för montering av vingar, fallrörskarvar och skruvar i monteringsfästen för fast konstruktion.
- Systemets säkerhetsvajer bör inspekteras årligen för att säkerställa att den inte har några synliga skador, slitage eller andra tecken på skador. Likaså bör fästpunkten för säkerhetsråden på den fasta strukturen inspekteras för att säkerställa full infästning. Vid tveksamhet bör säkerhetsvajern och/eller fästpunkten bytas ut. Kontakta Nordicco för information om byte av säkerhetsvajer.
- Motor och andra rörliga delar är smorda livet ut och kräver inget underhåll.

REPARATIONER OCH RESERVDELAR

- Kontakta Nordicco Sweden AB samband med reparationer eller reservdelar:

SV: +46 79 356 60 72

DK: +45 73 70 90 83

Maila: info@nordicco.se

Webbplats: www.nordicco.se

CONTACT INFO / KONTAKTINFO / KONTAKTINFO / KONTAKTINFORMATIONEN

EN: Other manuals, such as Advanced User Guides for setting up fan networking mode and integrating fans to a building management system - as well as manuals in other languages can be downloaded from our website: www.nordicco.eu/downloads

DA: Andre manualer, såsom avancerede brugervejledninger til opsætning af ventilatornetværks-tilstand og integration af ventilatorer i et bygningsstyringssystem - samt manualer på andre sprog kan downloades fra vores hjemmeside: www.nordicco.eu/downloads

SE: Andere Handbücher, wie z.B. erweiterte Benutzerhandbücher zum Einrichten des Netzwerkmodus und zum Integrieren von mehreren Ventilatoren in einem Gebäudemanagementsystem, sowie Handbücher in anderen Sprachen können Sie auf unserer Website heruntergeladen: www.nordicco.eu/downloads

NO: Andre håndbøker, for eksempel avanserte brukerveiledninger for konfigurering av viftenettverksmodus og integrering av vifter i et bygningsstyringssystem - samt håndbøker på andre språk - kan lastes ned fra nettstedet vårt: www.nordicco.eu/downloads

DE: Andra manualer, t.ex. avancerade användarhandböcker för att ställa in fläktnätverk och integrera fläktar i ett fastighetssystem, samt manualer på andra språk kan laddas ned från vår hemsida: www.nordicco.eu/downloads



ADDRESS

Nordicco A/S
Strevelinsvej 22
7000 Fredericia
Denmark



CONTACT

+45 73 70 90 83
info@nordicco.eu
www.nordicco.eu

