

CONNECTIVITY OPTIONS

NORDICCO® FAN MANAGEMENT SYSTEM



NORDICCO®
CLEAN • CLIMATE-FRIENDLY • COMFORT

CONTENTS

Applied standards	3
Main current	4
Connection type 1	5
Connection type 2	9
I/O equipment.....	13

IMPORTANT: NETWORKING OF FANS REQUIRES ACCESSING THE NORDICCO® SYSTEM DRIVE, WHICH VOIDS THE WARRANTY UNLESS PRIOR WRITTEN APPROVAL HAS BEEN OBTAINED FROM THE MANUFACTURER.



ADDRESS

Nordicco A/S
Karetmagervej 23
7000 Fredericia
Denmark

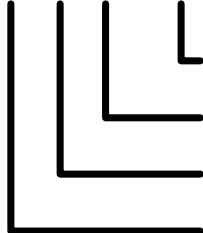


CONTACT


+45 73 70 90 83
info@nordicco.eu
www.nordicco.eu

APPLIED STANDARDS

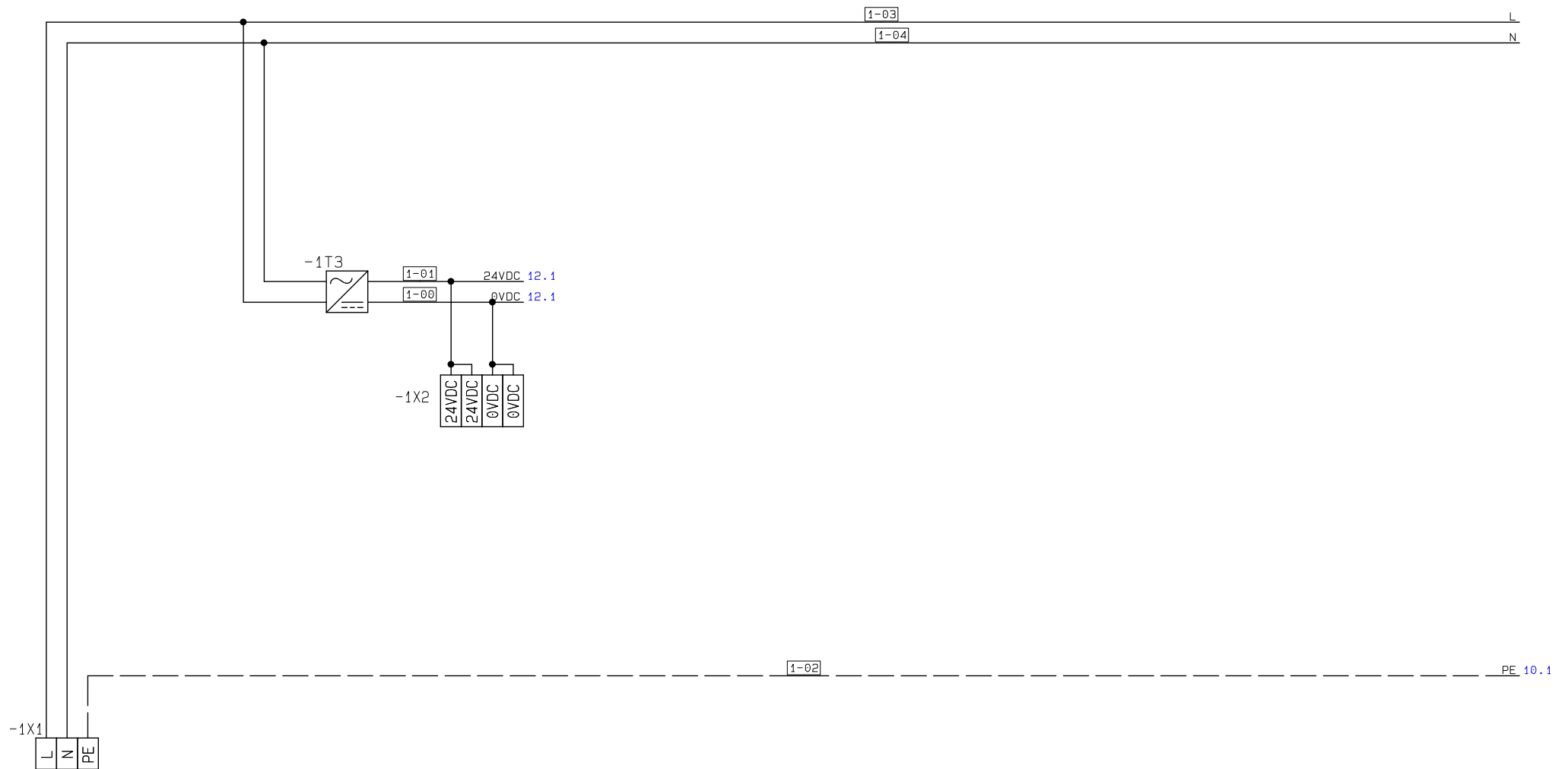
Color Identifiers DS/EN 60201-1	
Green / Yellow	PE - earth wire - protective conductor a.c. and d.c. Power Circuits
Black	d.c. Power Circuits
Light blue	Neutral conductor in Power Circuits
Red	Phase AC Control Circuits
Red/White	Neutral AC Control Circuits
Blue	Plus DC Control Circuits
Blue/White	Minus DC Control Circuits
Grey	Analog Signals
Orange	Power Circuits supplied from external supply

Component Designation	
-5 F 4 / 1	
	<p>Number in case of several identical components in same current path</p> <p>Current path no.</p> <p>Letter according to DS/EN 61346-2</p> <p>Page in documentation</p>

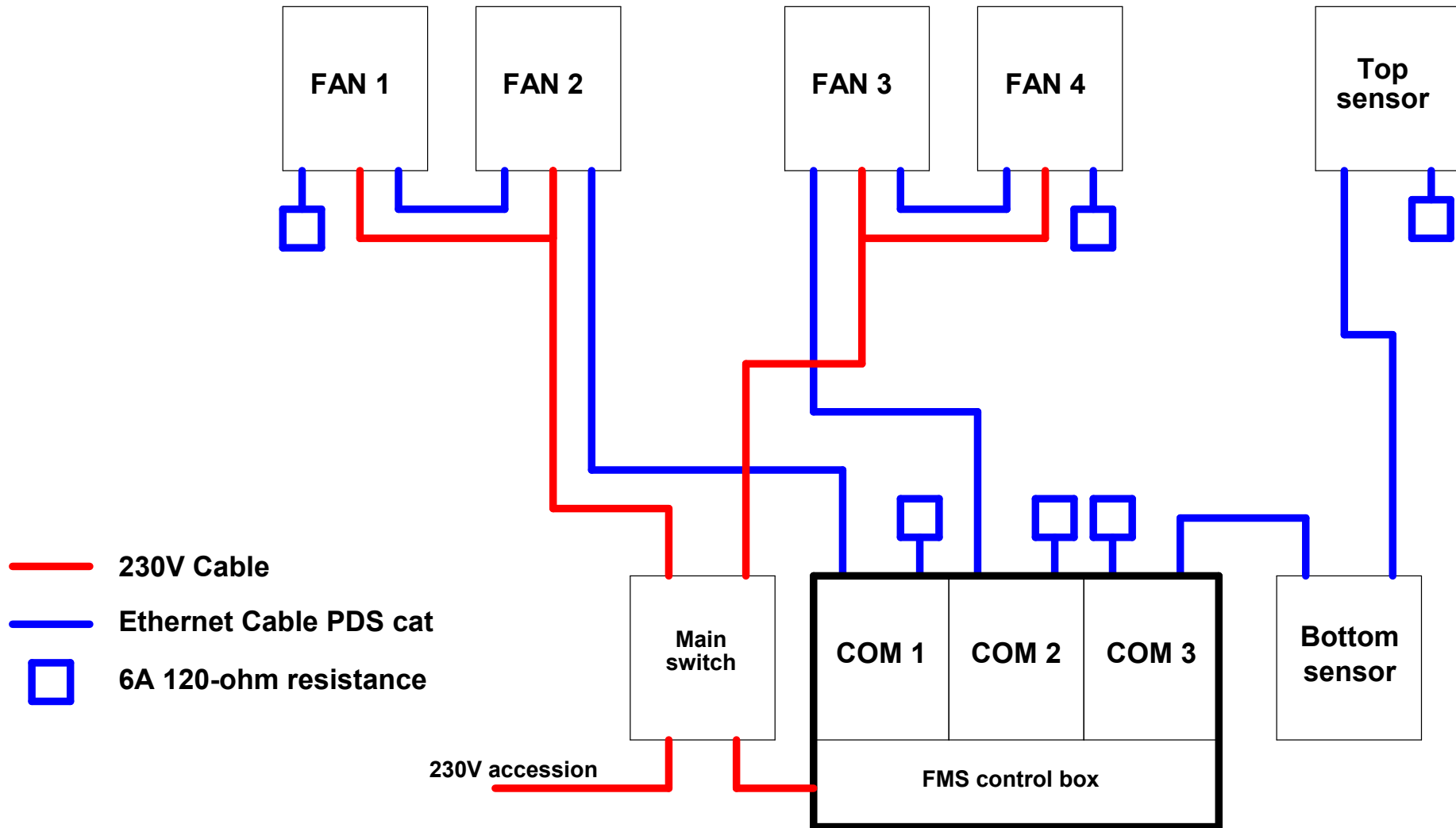
Letter Codes DS/EN 61346-2	
A:	Touch panel
B:	Sensor, Detector, Temperature
C:	Condensator
D:	Lighting and heating
F:	Fuse, Thermal Protection, Surge arrester
G:	Power Supply, Generator
K:	Relays, Control Component
M:	Engine, Activation Coil
N:	Analog Component
P:	Pilot Lamp, Measuring Equipment.
Q:	Circuit Breaker
R:	Resistors
S:	Control Buttons, manual Switches
T:	AC/AC Transformer, Frequency Converter
W:	Cable, Bar
X:	Terminal, Plug.

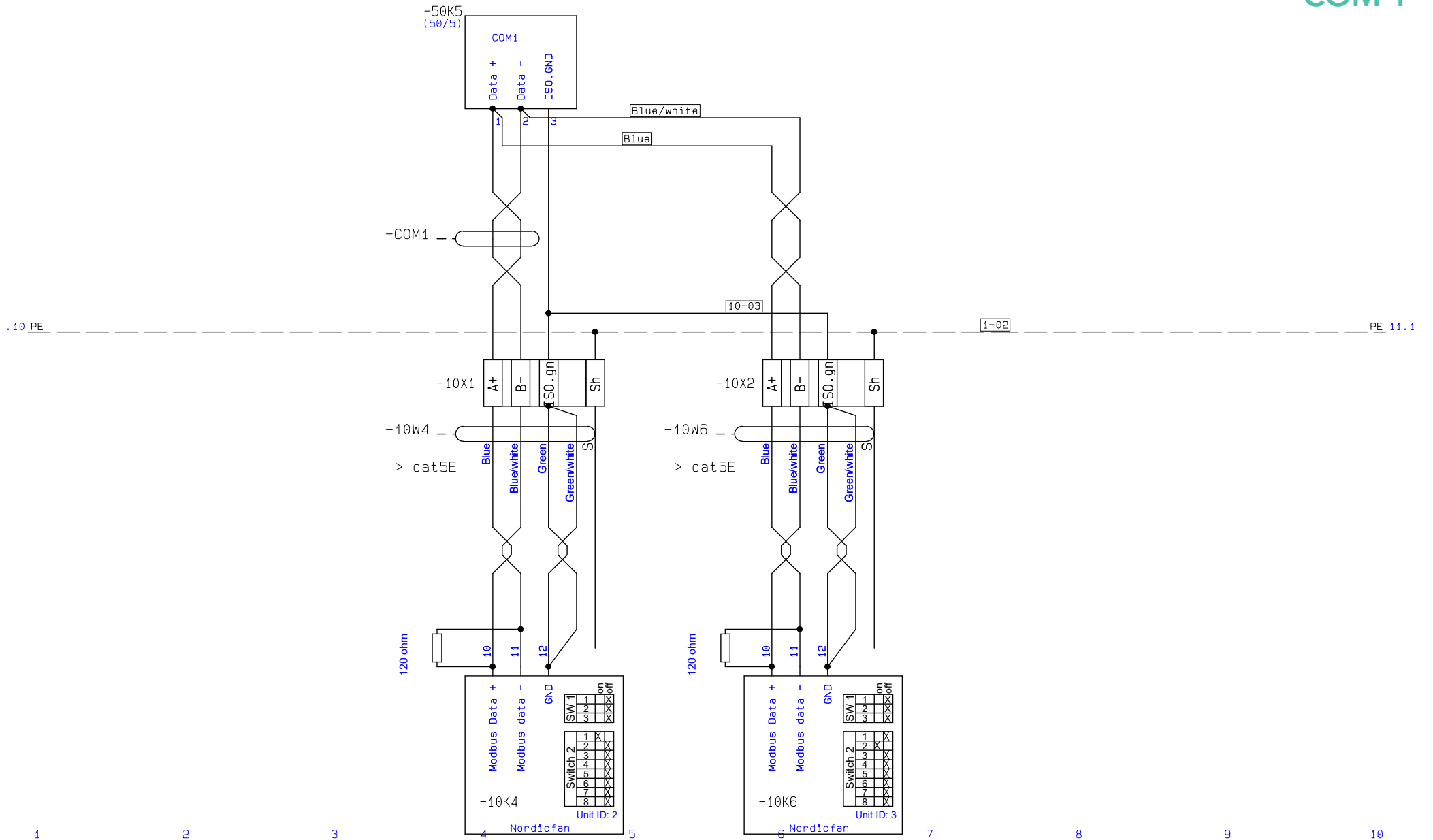
Conductor Marking	
Marking of control conductor	
-5F4:2	
	<p>Connection terminal on component</p> <p>Component designation</p>

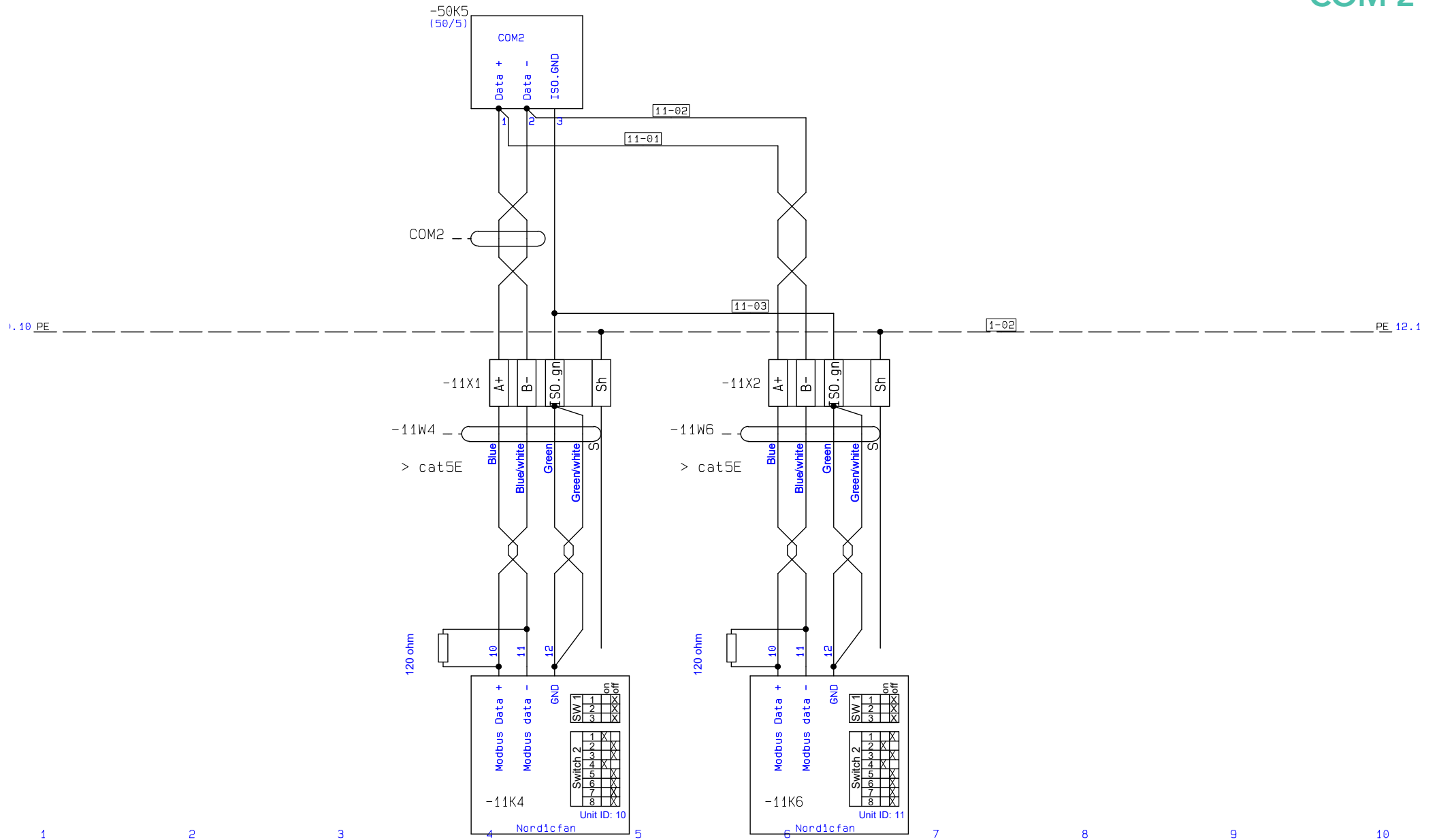
MAIN CURRENT

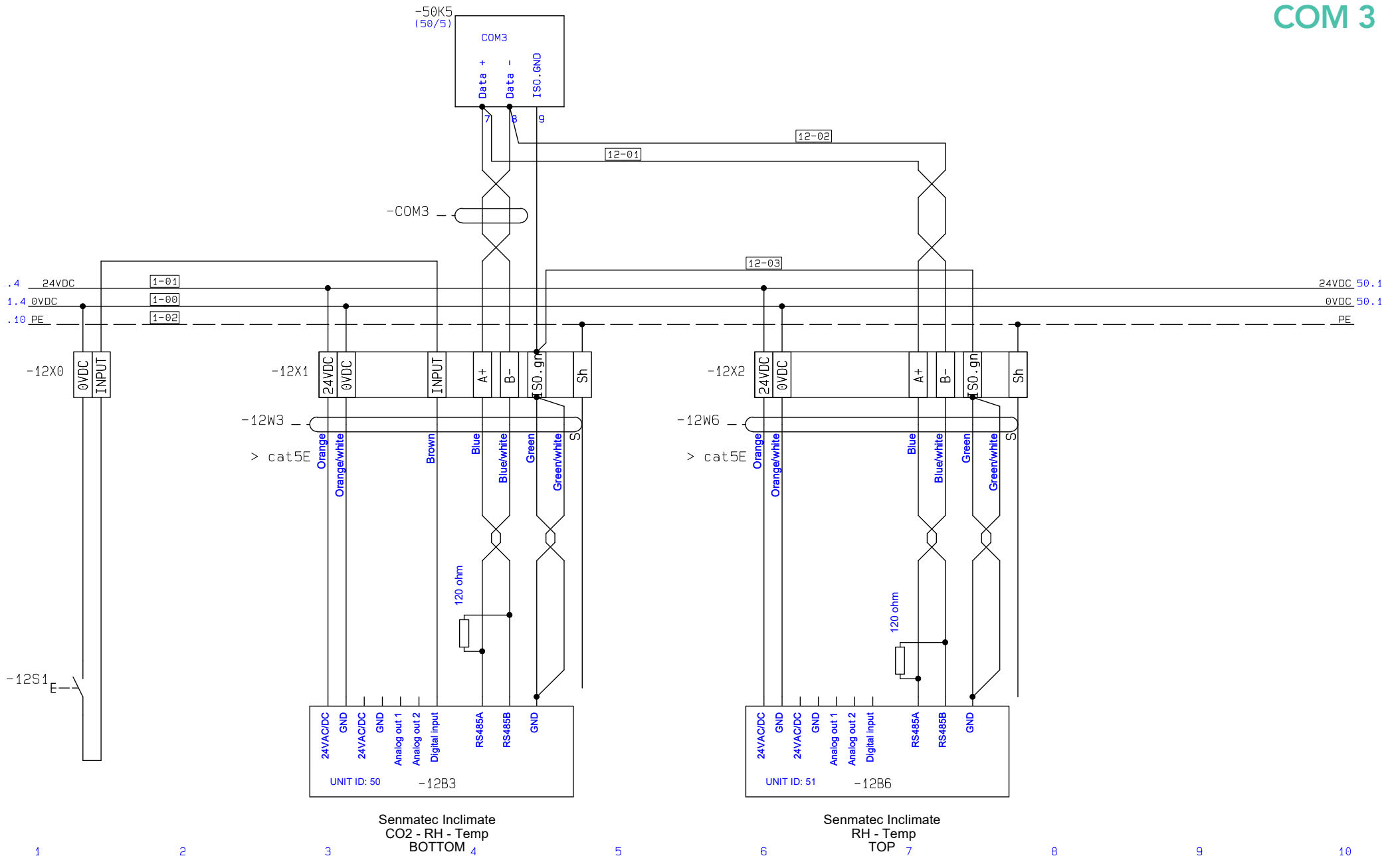


CONNECTION TYPE 1

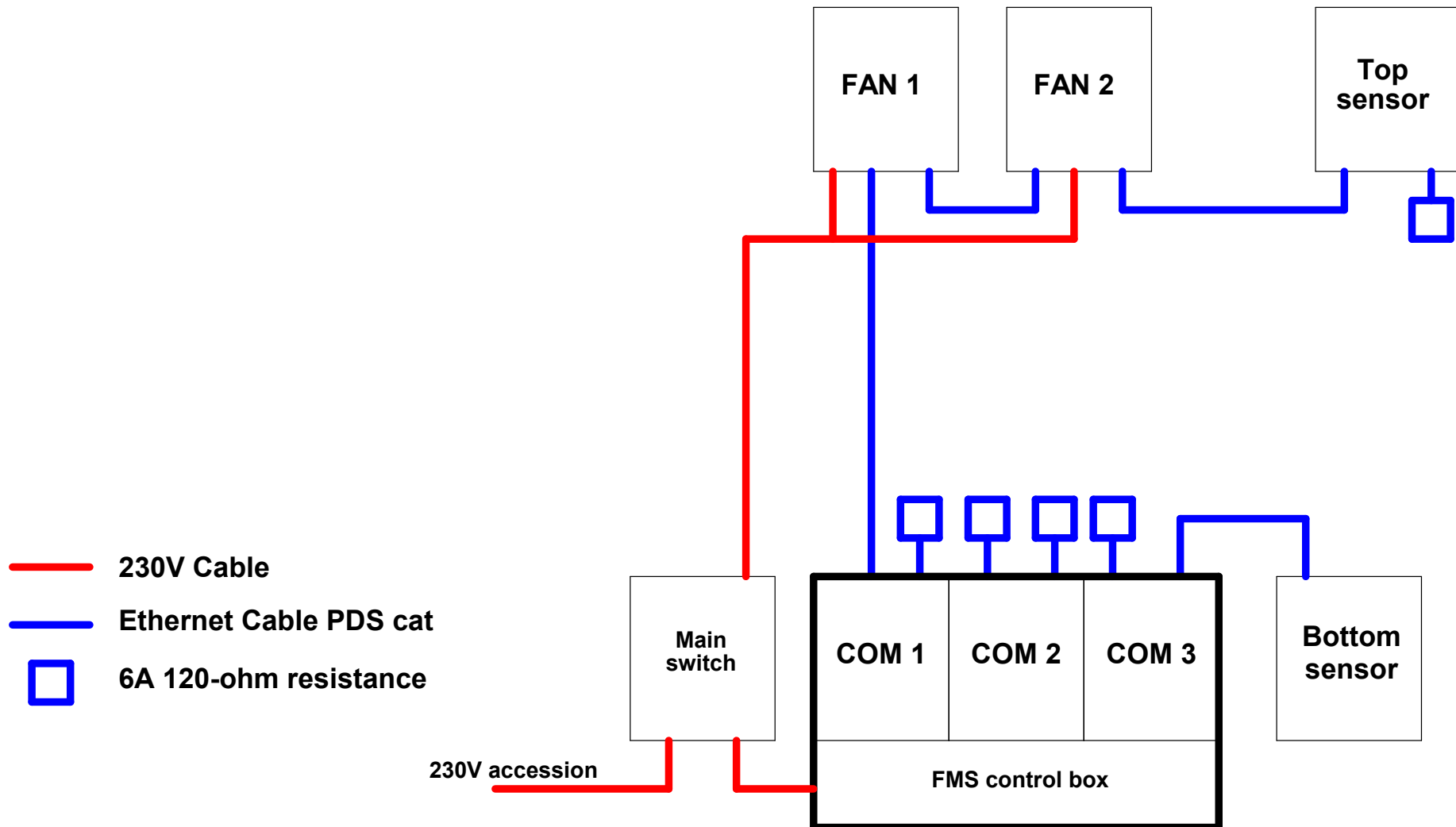


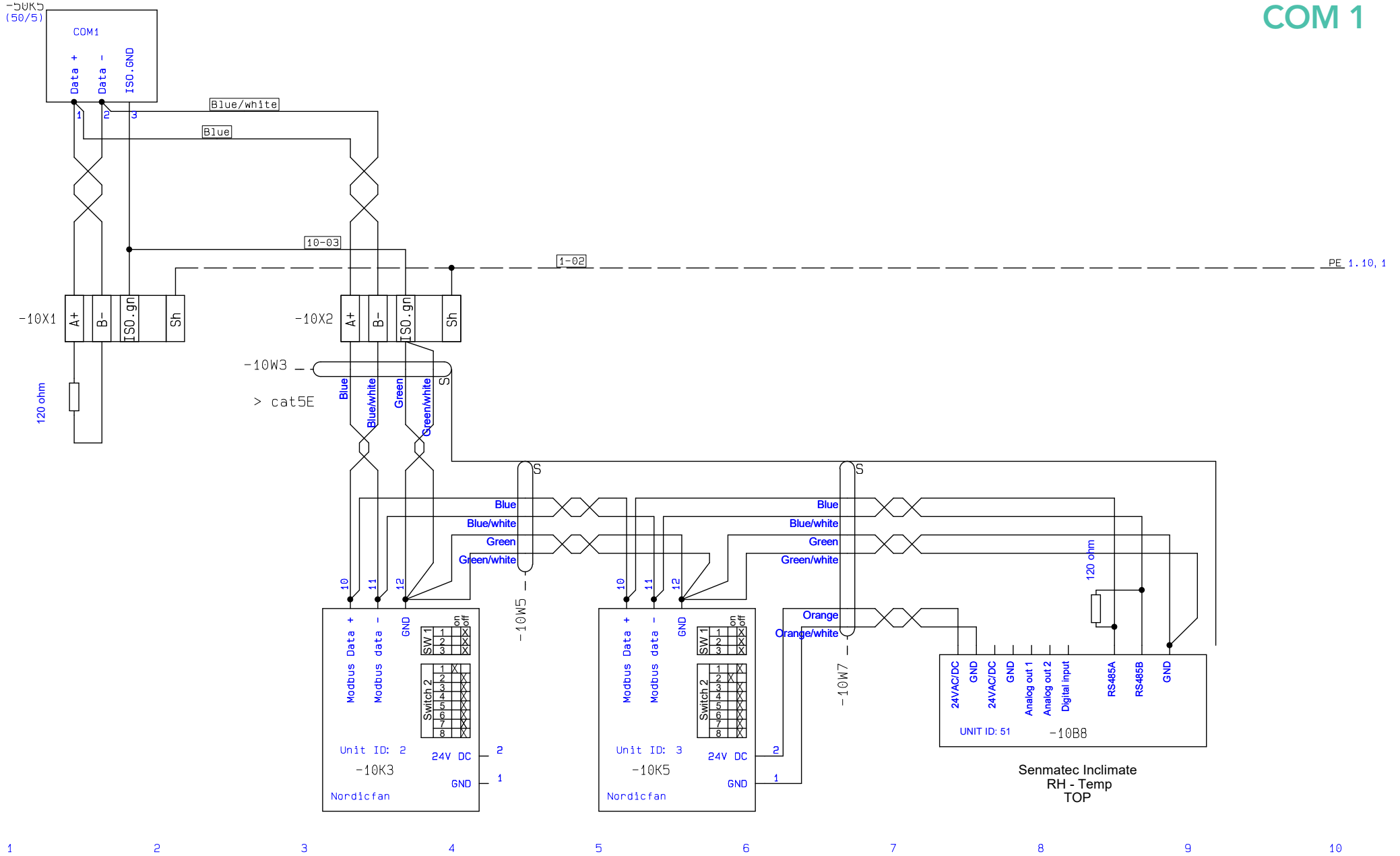


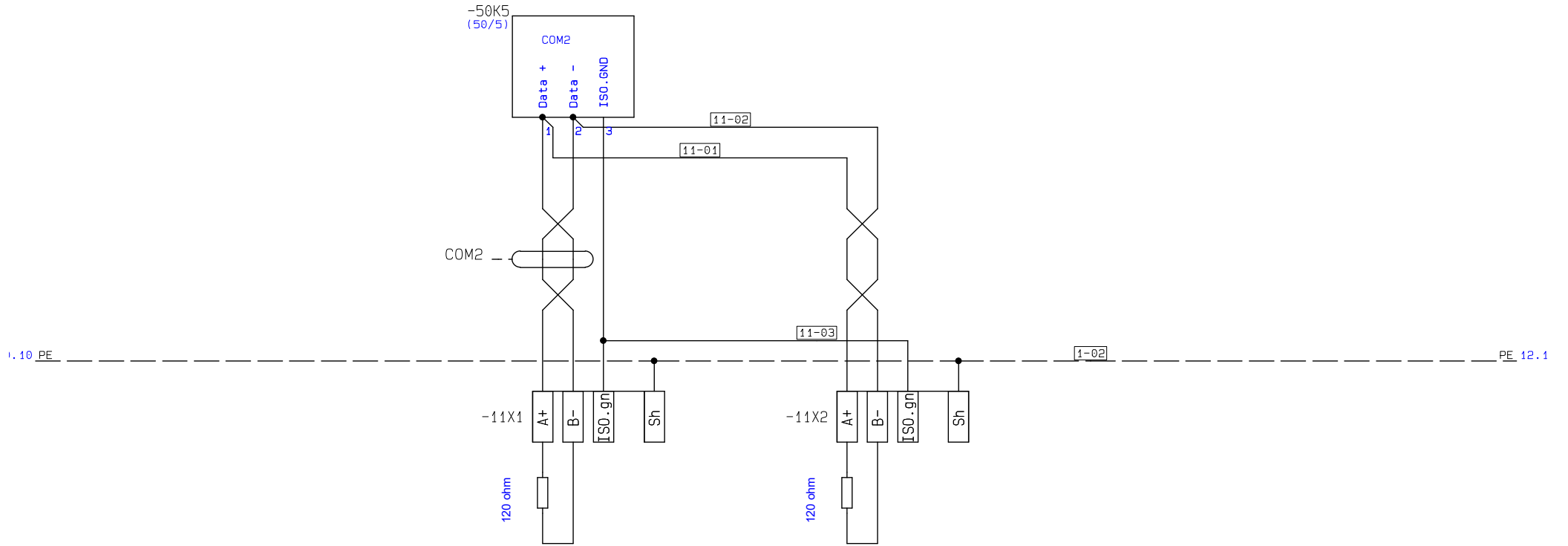


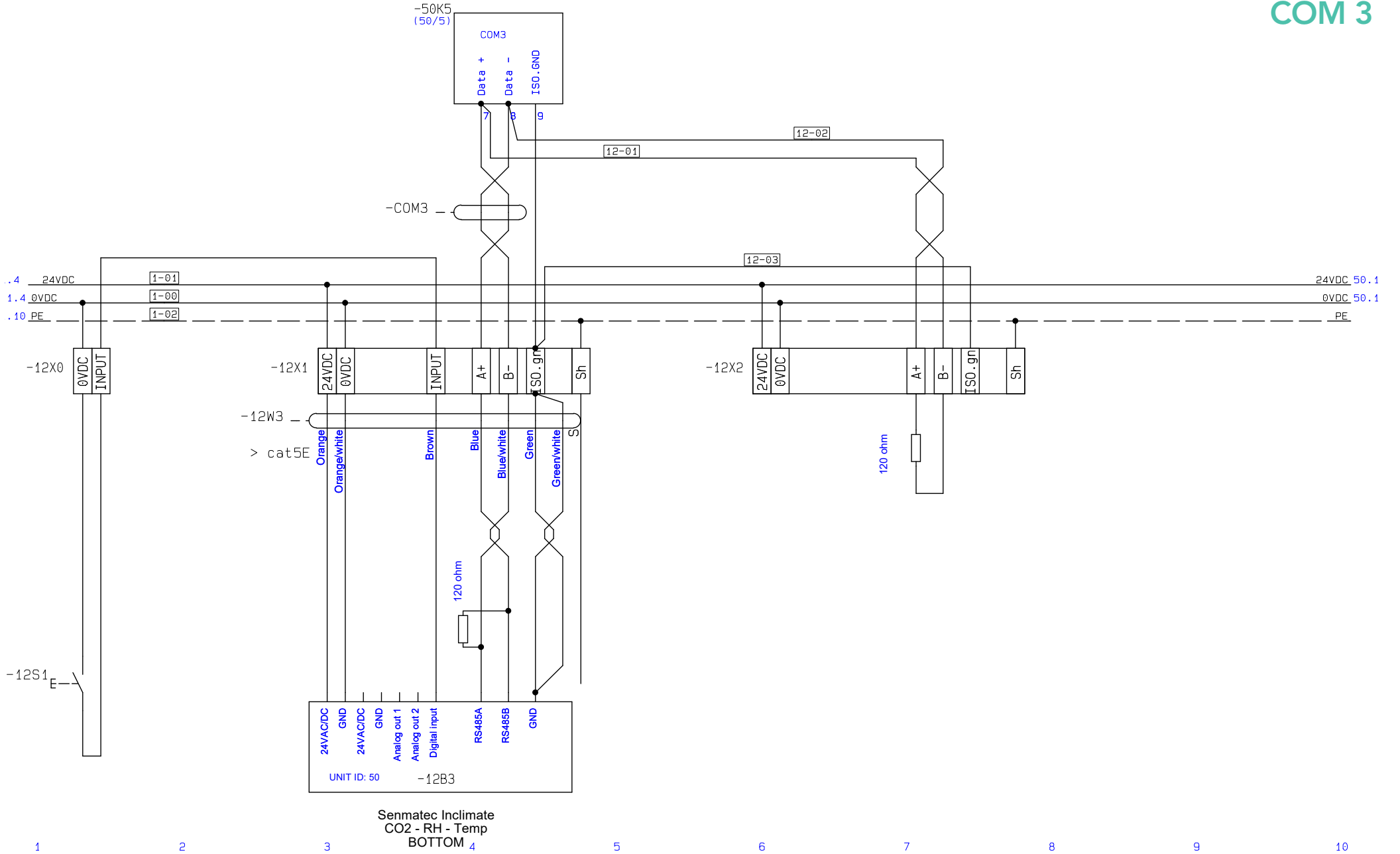


CONNECTION TYPE 2



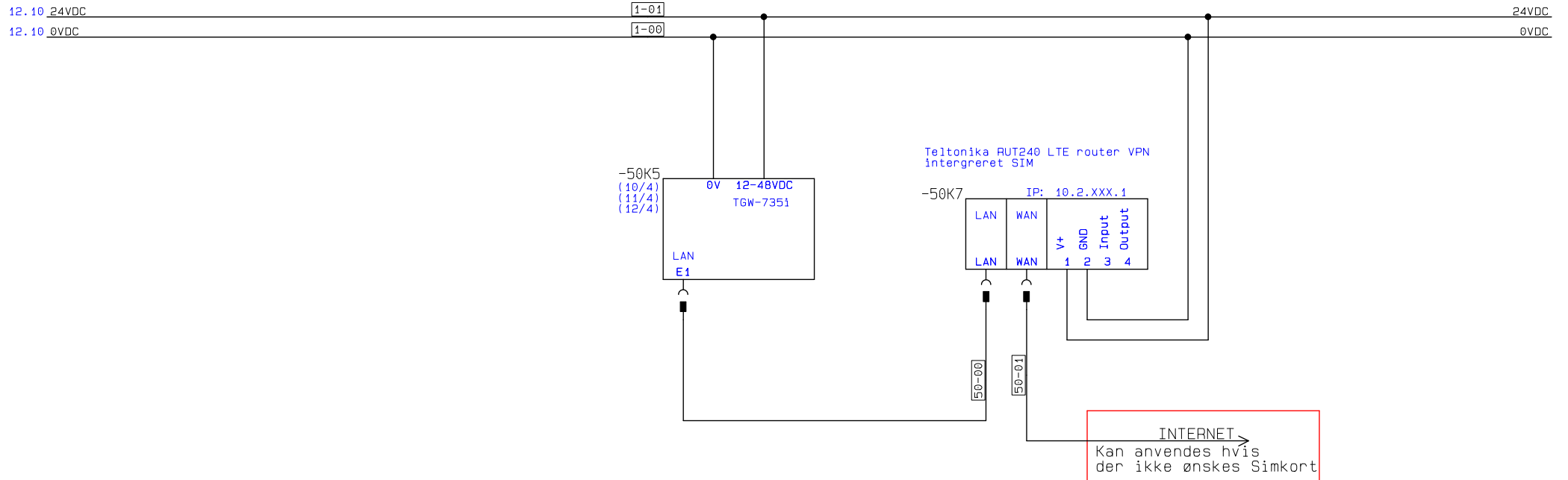






Senmatec Inclimate
CO2 - RH - Temp
BOTTOM 4

I/O EQUIPMENT





ADDRESS

Nordicco A/S
Karetmagervej 23
7000 Fredericia
Denmark



CONTACT

+45 73 70 90 83
info@nordicco.eu
www.nordicco.eu